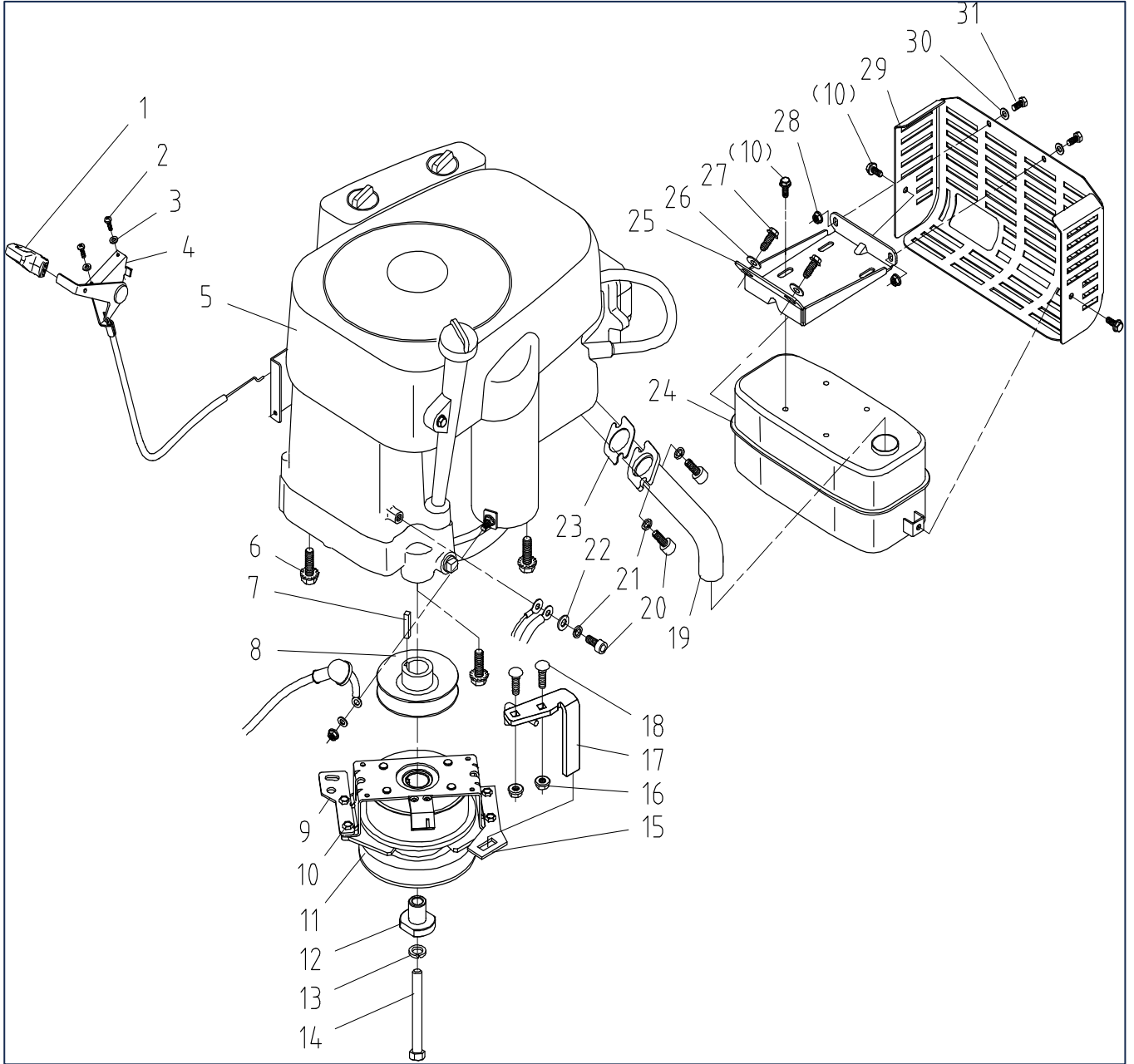


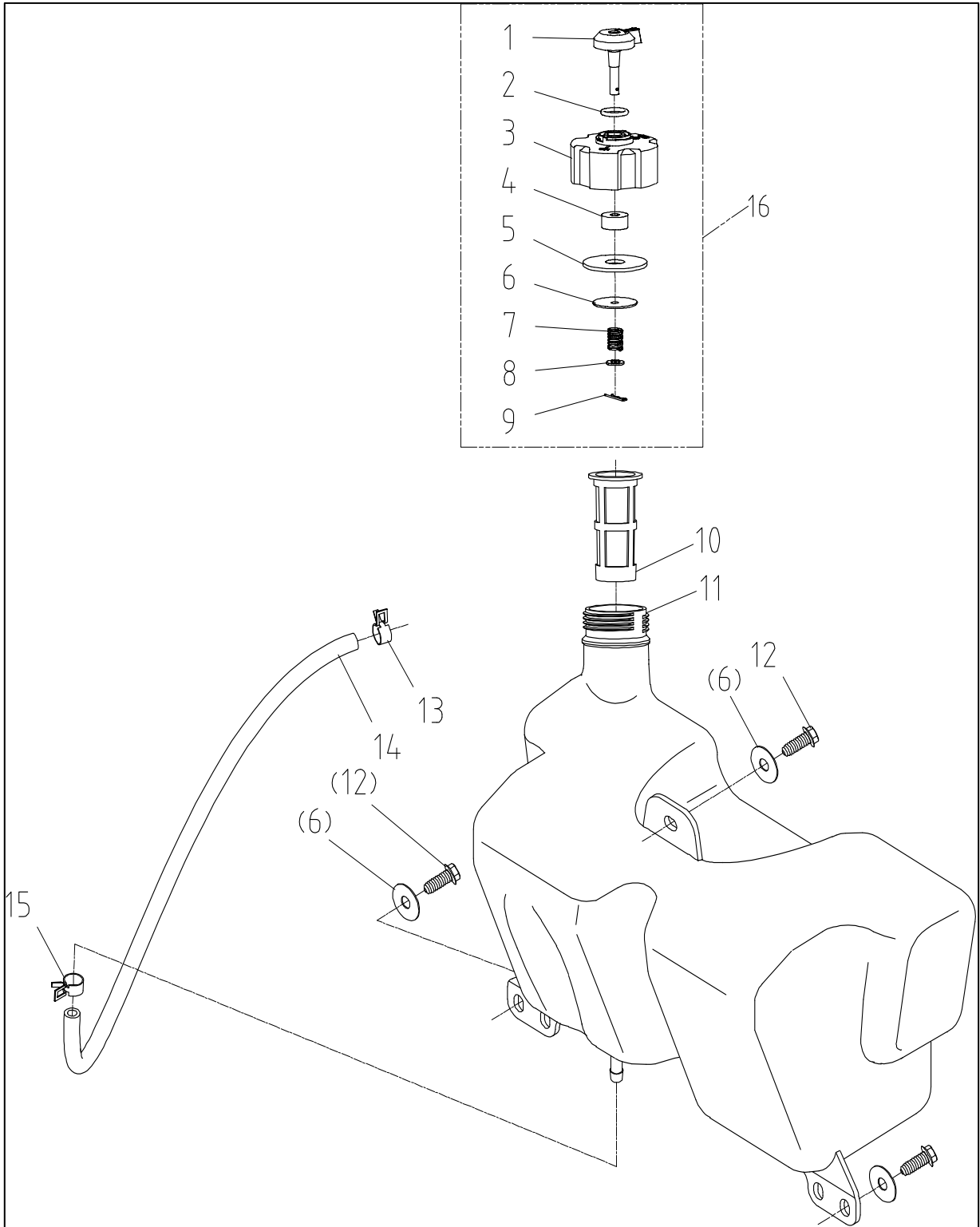
Model: TTC102H

Part Number: 90063134

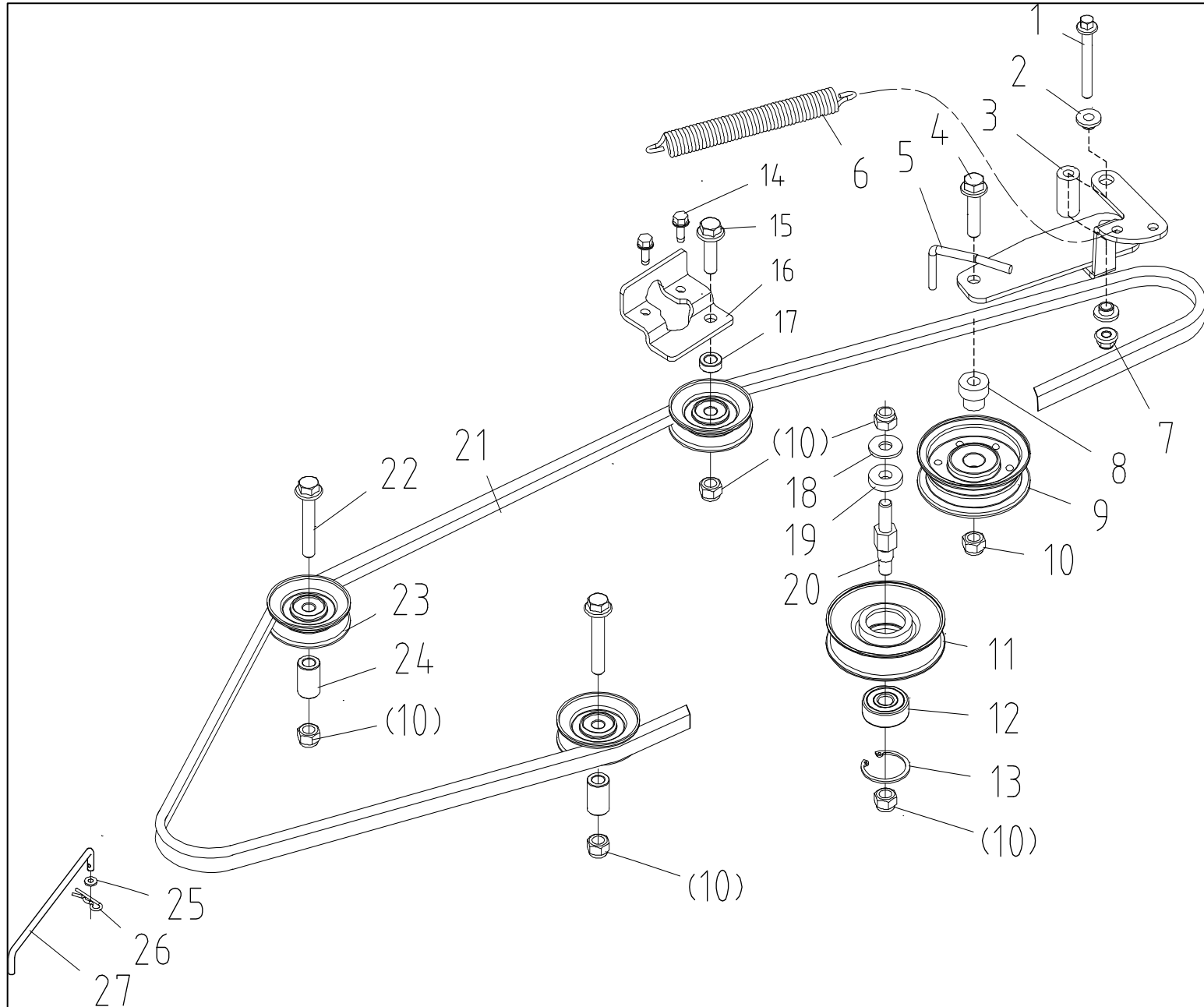
Year: 2024



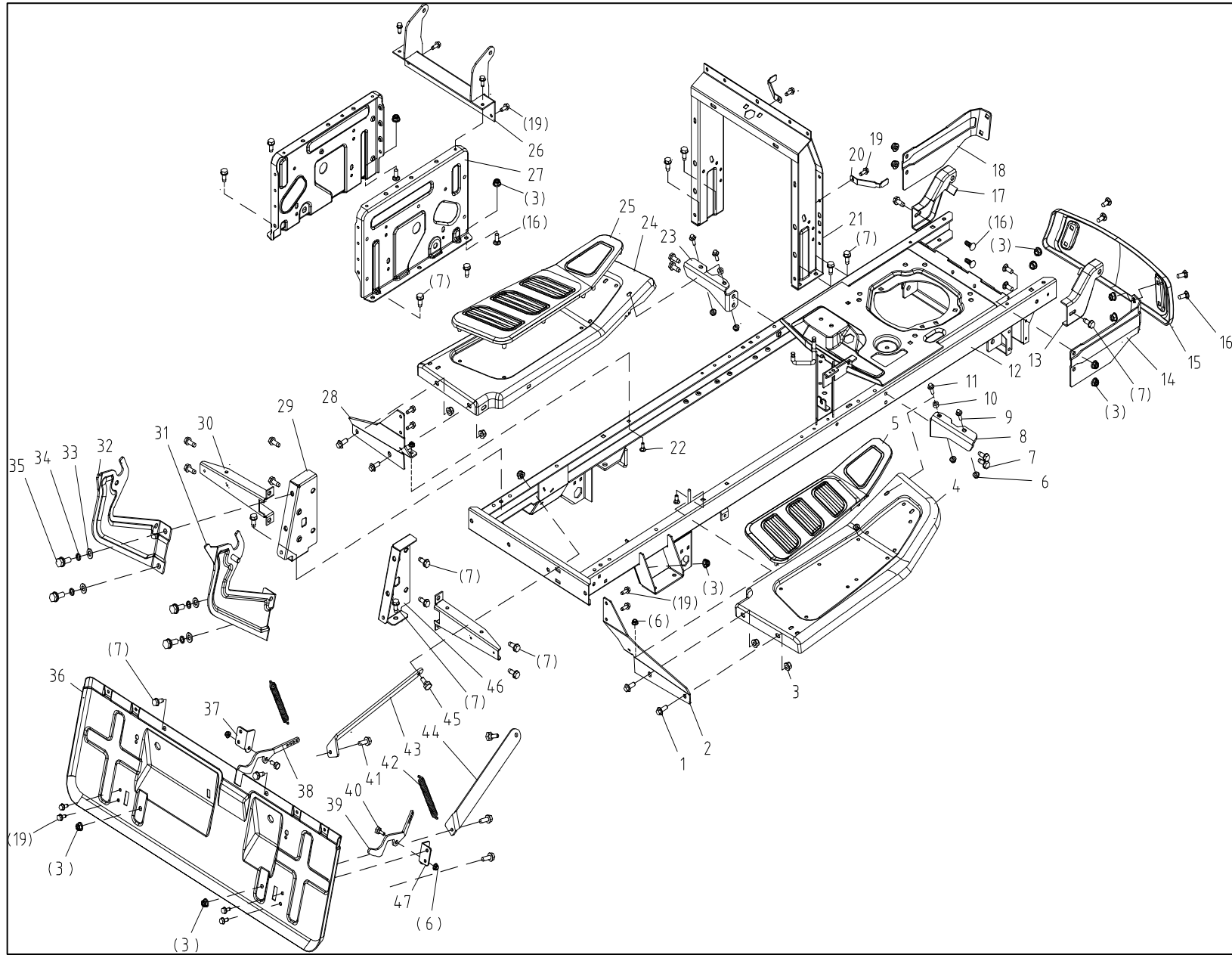
| POS | QTY | PARTNUMBER | BESKRIVELSE              | DESCRIPTION                     |
|-----|-----|------------|--------------------------|---------------------------------|
| 1   | 1   | 451633     | CHOKERHÅNDTAG            | CHOKE KNOB                      |
| 2   | 2   | 449498     | SKRUE M4X16              | SCREW M4×16                     |
| 3   | 2   | 436590     | SKIVE M10                | WASHER                          |
| 4   | 1   | 436571     | GASKABEL MED REGULATOR   | THROTTLE CABLE                  |
| 5   | 1   | LC1P92F-1  | LC1P92F-1/452 CC         | ENGINE 452CC                    |
| 6   | 4   | 449499     | BOLT 3/8"-16-1 1/4"      | "TAPPING SCREW 3/8""-16-1 1/4"" |
| 7   | 1   | 439442     | NOT                      | FLAT KEY 6.35×30                |
| 8   | 1   | 440448     | MOTORREMSKIVE            | ENGINE PULLEY WELDMENT          |
| 9   | 1   | 452518     | HOLDER                   | SUPPORT                         |
| 10  | 10  | 451640     | BOLT M6X16               | TAPPING SCREWM6*16              |
| 11  | 1   | 451634     | ELEKTRISK KOBLING        | ELECTRIC CLUTCH                 |
| 12  | 1   | 451635     | KOBLINGS BØS             | CLUTCH STEP BUSHING             |
| 13  | 1   | 439445     | FJEDERSKIVE 7/16"        | "SPRING WASHER 7/16""           |
| 14  | 1   | 436589     | KNIVBOLT                 | BOLT 3/8-24UNF                  |
| 15  | 1   | 451636     | KOBLINGSBESLAG           | CLUTCH CLAMP PLATE              |
| 16  | 2   | 449501     | LÅSEMØTRIK M8            | FLANGE LOCK NUT M6              |
| 17  | 1   | 452590     | BESLAG                   | CLUTCH BAFFLE (SMALL BIN)       |
| 18  | 2   | 439472     | BOLT M8X20               | BOLT M8×20                      |
| 19  | 1   | 439448     | UDSTØDNINGRØR            | EXHAUST PIPE                    |
| 20  | 3   | 439446     | SKRUE 5/16"-18-3/4"      | " SCREW 5/16""-18 -3/4""        |
| 21  | 3   | 439445     | FJEDERSKIVE 7/16"        | "SPRING WASHER 7/16""           |
| 22  | 1   | 436590     | SKIVE M10                | WASHER                          |
| 23  | 1   | 439447     | PAKNING                  | GASKET                          |
| 24  | 1   | 439471     | UDSTØDNING               | MUFFLE                          |
| 25  | 1   | 451641     | BESLAG                   | BRACKET                         |
| 26  | 2   | 439465     | SKIVE 10                 | BIG WASHER 6                    |
| 27  | 2   | 451616     | FLANGEBOLT M5X16-18TX3/4 | FLANGE BOLT5/16-18TX3/4         |
| 28  | 2   | 452519     | LÅSEMØTRIK M6            | FLANGE LOCK NUT M6              |
| 29  | 1   | 439467     | SKJOLD                   | FRONT SHIELD                    |
| 30  | 2   | 439465     | SKIVE 10                 | BIG WASHER 6                    |
| 31  | 2   | 439462     | BOLT M8X16               | BOLT M8×16                      |



| POS | QTY | PARTNUMBER | BESKRIVELSE          | DESCRIPTION          |
|-----|-----|------------|----------------------|----------------------|
| 1   | 1   | 439449     | VENTIL               | FUEL TANK CAP LEVER  |
| 2   | 1   | 439450     | GUMMIRING            | O RING               |
| 3   | 1   | 439451     | TANKDÆKSEL           | FUEL TANK CAP        |
| 4   | 1   | 439452     | FILTER               | FUEL TANK CAP FILTER |
| 5   | 1   | 439453     | PAKNING              | FUEL TANK CAP SEAL   |
| 6   | 4   | 439454     | TANKPAKNING 6X25X1.5 | GASKET 6×25×1.5      |
| 7   | 1   | 439455     | FJEDER               | FUEL TANK CAP SPRING |
| 8   | 1   | 436590     | SKIVE M10            | WASHER               |
| 9   | 1   | 439456     | SPLIT                | SPLIT PIN            |
| 10  | 1   | 436572     | BENZINFILTER         | FILTER CAP           |
| 11  | 1   | 439457     | BRÆNDSTOFTANK        | FUEL TANK            |
| 12  | 3   | 451640     | BOLT M6X16           | TAPPING SCREWM6*16   |
| 13  | 1   | 439458     | KLEMME               | CLIP 10              |
| 14  | 1   | 439459     | BRÆNDSTOFSLANGE      | FUEL HOSE            |
| 15  | 1   | 449502     | KLEMME               | CLIP ?10             |
| 16  | 1   | 451018     | TANKLÅG KPL.         | FUEL CAP ASSY        |



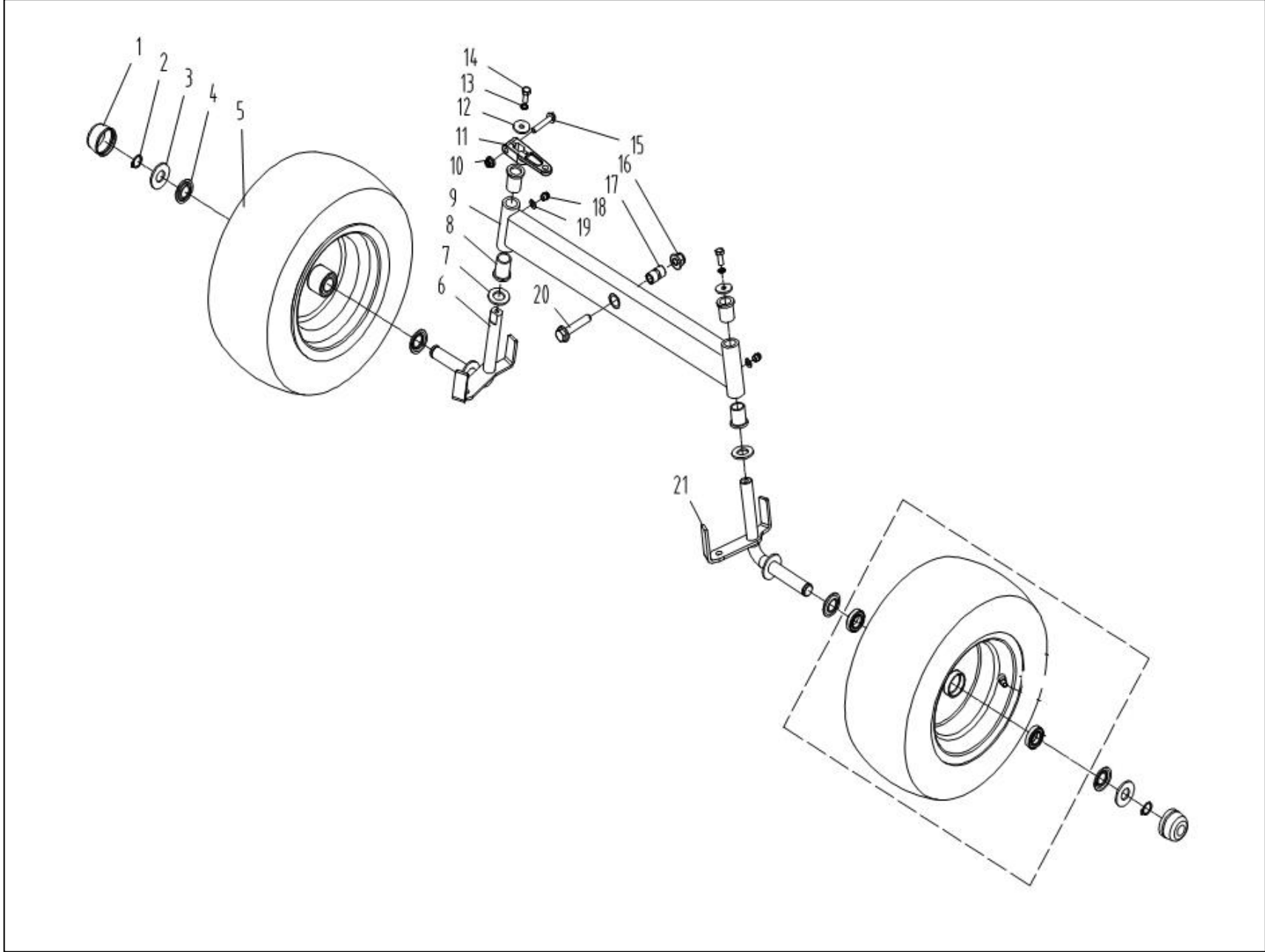
| POS | QTY | PARTNUMBER | BESKRIVELSE         | DESCRIPTION                     |
|-----|-----|------------|---------------------|---------------------------------|
| 1   | 1   | 449506     | BOLT M10X1.25X40    | " FLANGE BOLT M10×1.25×40       |
| 2   | 2   | 451643     | SKIVE Ø8X18X33      | BUSHING                         |
| 3   | 1   | 451644     | BØS                 | SPACER $\phi$ 8X $\phi$ 18X33   |
| 4   | 1   | 449506     | BOLT M10X1.25X40    | " FLANGE BOLT M10×1.25×40       |
| 5   | 1   | 451645     | DRIVARM             | DRIVING TENTION ARM<br>WELDMENT |
| 6   | 1   | 436576     | FJEDER              | SPRING                          |
| 7   | 1   | 449503     | MØTRIK M8           | FLANGE NUT M6                   |
| 8   | 1   | 439487     | BØS                 | TENTION PULLEY BUSHING          |
| 9   | 1   | 436575     | REMSKIVE            | TENSION PULLEY                  |
| 10  | 6   | 439481     | LÅSEMØTRIK M10X1.25 | LOCK NUT M10×1.25               |
| 11  | 1   | 436574     | REMSKIVE            | TENSION PULLEY                  |
| 12  | 1   | 436583     | LEJE 6203-2RZ       | BEARING 61904-2RZ               |
| 13  | 1   | 439480     | LÅSERING 37         | SNAP RING 37                    |
| 14  | 4   | 451640     | BOLT M6X16          | TAPPING SCREWM6*16              |
| 15  | 1   | 449506     | BOLT M10X1.25X40    | " FLANGE BOLT M10×1.25×40       |
| 16  | 1   | 452591     | BESLAG              | GUIDE PULLEY BASE PLATE         |
| 17  | 1   | 452592     | SKIVE 10X18X7       | WASHER $\phi$ 10X $\phi$ 18X7   |
| 18  | 1   | 439465     | SKIVE 10            | BIG WASHER 6                    |
| 19  | 1   | 451647     | SKIVE Ø27X10X5,5    | WASHER $\phi$ 27X $\phi$ 10.5X5 |
| 20  | 1   | 451646     | BOLT                | BOLT                            |
| 21  | 1   | 451648     | DRIVREM             | V BELT LG4-1030                 |
| 22  | 2   | 449506     | BOLT M10X1.25X40    | " FLANGE BOLT M10×1.25×40       |
| 23  | 3   | 440468     | REMHJUL             | IDLER PULLEY                    |
| 24  | 2   | 451649     | BØS                 | GUIDE PULLEY CUSHION<br>SLEEVE  |
| 25  | 1   | 436590     | SKIVE M10           | WASHER                          |
| 26  | 1   | 439456     | SPLIT               | SPLIT PIN                       |
| 27  | 1   | 451650     | ARM                 | OIL DRAIN PUSH ROD(K46)         |



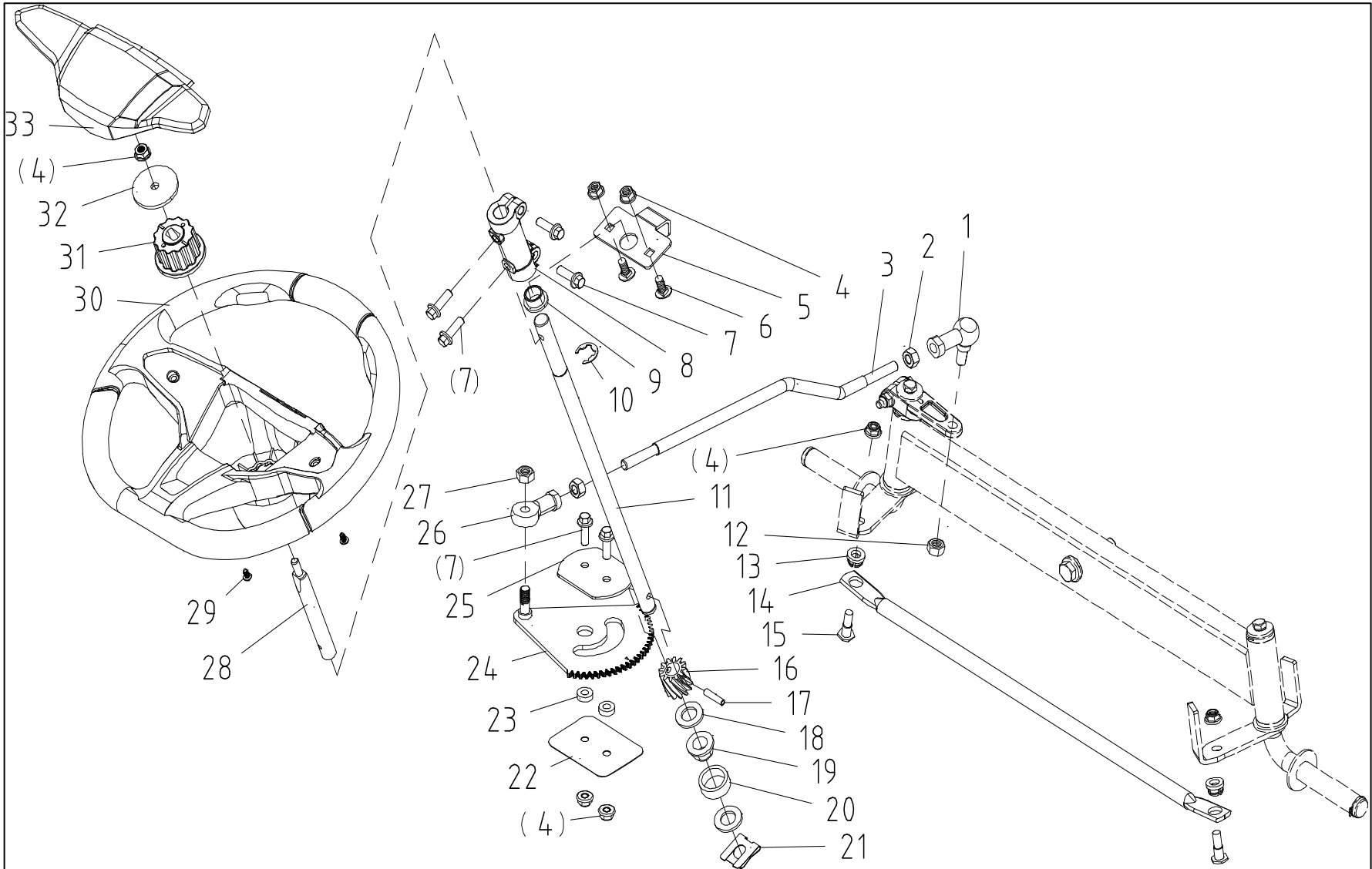
| POS | QTY | PARTNUMBER | BESKRIVELSE                 | DESCRIPTION                              |
|-----|-----|------------|-----------------------------|--|
| 1   | 4   | 449511     | BOLT M6X16                  | FLANGE BOLT M10×1.25×25                  |
| 2   | 1   | 451651     | BESLAG                      | RIGHT PEDAL HANGER                       |
| 3   | 18  | 449501     | LÅSEMØTRIK M8               | FLANGE LOCK NUT M6                       |
| 4   | 1   | 451652     | FODPLADE HØJRE              | RIGHT PEDAL                              |
| 5   | 1   | 451653     | GUMMI MÅTTE HØJRE           | RIGHT FOOT PAD                           |
| 6   | 8   | 449501     | LÅSEMØTRIK M8               | FLANGE LOCK NUT M6                       |
| 7   | 26  | 451616     | FLANGEBOLT M5X16-18TX3/4    | FLANGE BOLT5/16-18TX3/4                  |
| 8   | 1   | 451654     | BESLAG FOR PEDAL HØJRE      | PEDAL FRONT SUPPORT RIGHT                |
| 9   | 2   | 439441     | BOLT M8X45                  | FLANGE BOLT M10×1.5×35                   |
| 10  | 2   | 439518     | BØS                         | BUSHING                                  |
| 11  | 2   | 449511     | BOLT M6X16                  | FLANGE BOLT M10×1.25×25                  |
| 12  | 1   | 451655     | RAMME                       | CHASIS                                   |
| 13  | 1   | 451656     | BESLAG                      | ENGINE COVER BRACKET RIGHT               |
| 14  | 1   | 451657     | BESLAG FOR KOFANGER HØJRE   | RIGHT BAMPER ROD                         |
| 15  | 1   | 451658     | KOFANGER                    | BAMPER                                   |
| 16  | 10  | 439472     | BOLT M8X20                  | BOLT M8×20                               |
| 17  | 1   | 451659     | BESLAG                      | ENGINE COVER BRACKET LEFT                |
| 18  | 1   | 451660     | BESLAG FOR KOFANGER VENSTRE | LEFT BAMPER ROD                          |
| 19  | 14  | 451640     | BOLT M6X16                  | TAPPING SCREWM6*16                       |
| 20  | 2   | 451661     | BESLAG                      | STEERING                                 |
| 21  | 1   | 451662     | BESLAG                      | STEERING BRACKET                         |
| 22  | 2   | 439472     | BOLT M8X20                  | BOLT M8×20                               |
| 23  | 1   | 451663     | BESLAG                      | PEDAL FRONT SUPPORT LEFT                 |
| 24  | 1   | 451664     | FODPLADE VENSTRE            | LEFT PEDAL                               |
| 25  | 1   | 451665     | GUMMIMÅTTE VENSTRE          | LEFT FOOT PAD                            |
| 26  | 1   | 451666     | BESLAG                      | SEAT FRONT BEAM WELDMENT                 |
| 27  | 2   | 451667     | SIDEPLADE                   | SIDE PLATE                               |
| 28  | 1   | 451668     | PEDALOPHÆNG                 | LEFT PEDAL HANGER                        |
| 29  | 1   | 451669     | FORBINDINGSPLADE            | TRAPEZOIDAL CONNECTING PLATE PLATE WELDM |
| 30  | 2   | 451670     | BESLAG                      | TAILGATE BRACKET                         |
| 31  | 1   | 451671     | SVINGBESLAG HØJRE           | SWINGING FRAME RIGHT WELDMENT            |
| 32  | 1   | 451672     | SVINGBESLAG VENSTRE         | SWINGING FRAME LEFT WELDMENT             |
| 33  | 4   | 403342     | SKIVE 4                     | WASHER                                   |
| 34  | 4   | 403343     | FJEDERSKIVE                 | SPRING COLLAR                            |
| 35  | 4   | 451638     | FLANGEBOLT M8X16            | FLANGE BOLT M8×16                        |
| 36  | 1   | 451673     | BAGERSTE BESLAG             | REAR DAMPER                              |
| 37  | 1   | 451674     | BESLAG FOR KROG VENSTRE     | HOOK BASE LEFT                           |
| 38  | 1   | 451675     | KROG                        | HOOK                                     |
| 39  | 1   | 452608     | KROG                        | HOOK R                                   |
| 40  | 2   | 440966     | GUMMIPROP                   | BUMPER                                   |
| 41  | 2   | 449511     | BOLT M6X16                  | FLANGE BOLT M10×1.25×25                  |
| 42  | 2   | 440812     | FJEDER                      | SPRING                                   |



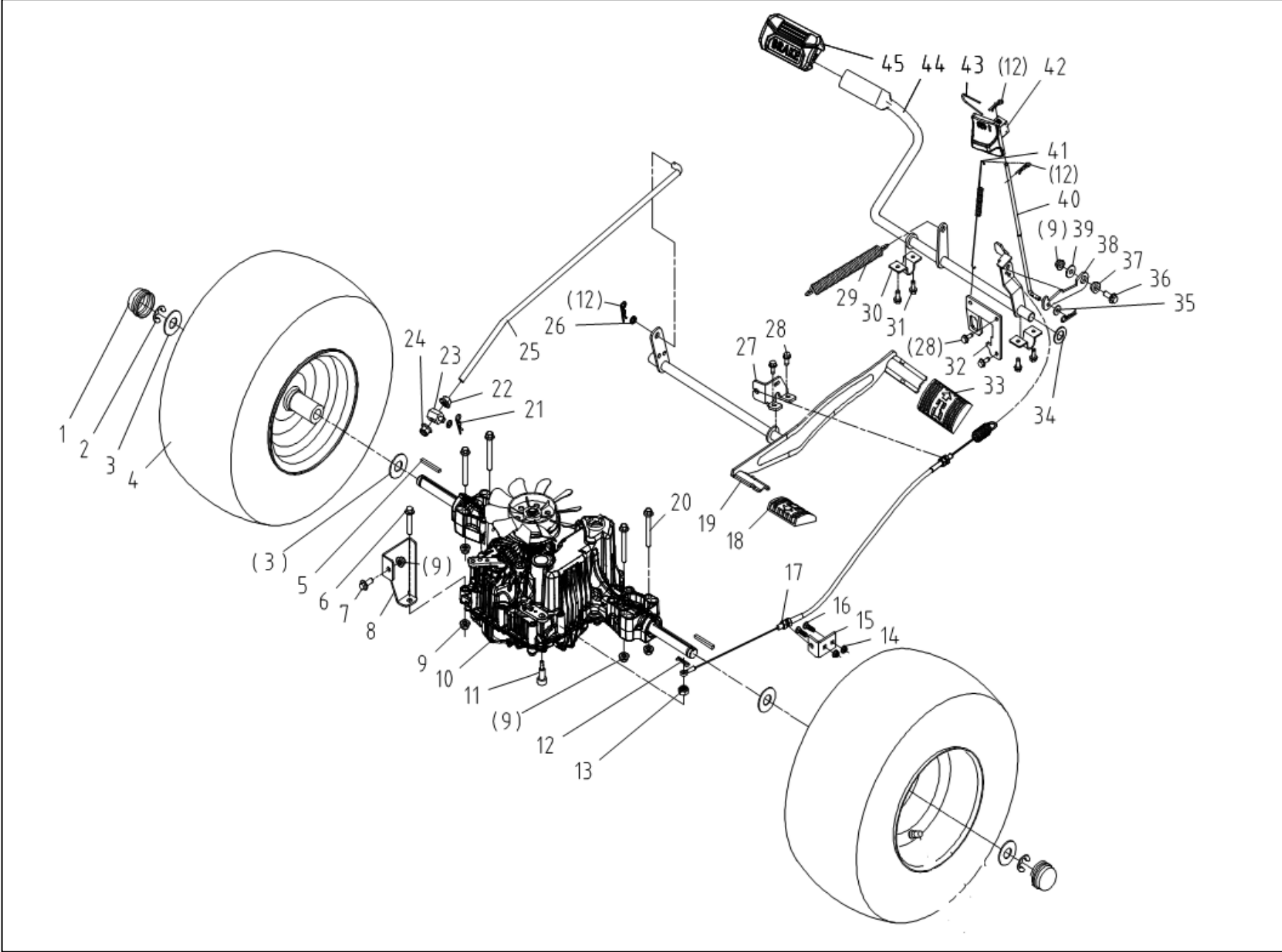
| POS | QTY | PARTNUMBER | BESKRIVELSE           | DESCRIPTION                                 |
|-----|-----|------------|-----------------------|---|
| 43  | 1   | 451676     | BESLAG VENSTRE        | BACK JACKSTAY LEFT                          |
| 44  | 1   | 451677     | BESLAG HØJRE          | BACK JACKSTAY RIGHT                         |
| 45  | 2   | 451678     | BOLT M8X20            | STEP BOLT M8×20                             |
| 46  | 1   | 451679     | FORBINDINGSPLADE      | TRAPEZOIDAL CONNECTING<br>PLATE PLATE WELDM |
| 47  | 1   | 451680     | BESLAG FOR KROG HØJRE | HOOK BASE RIGHT                             |



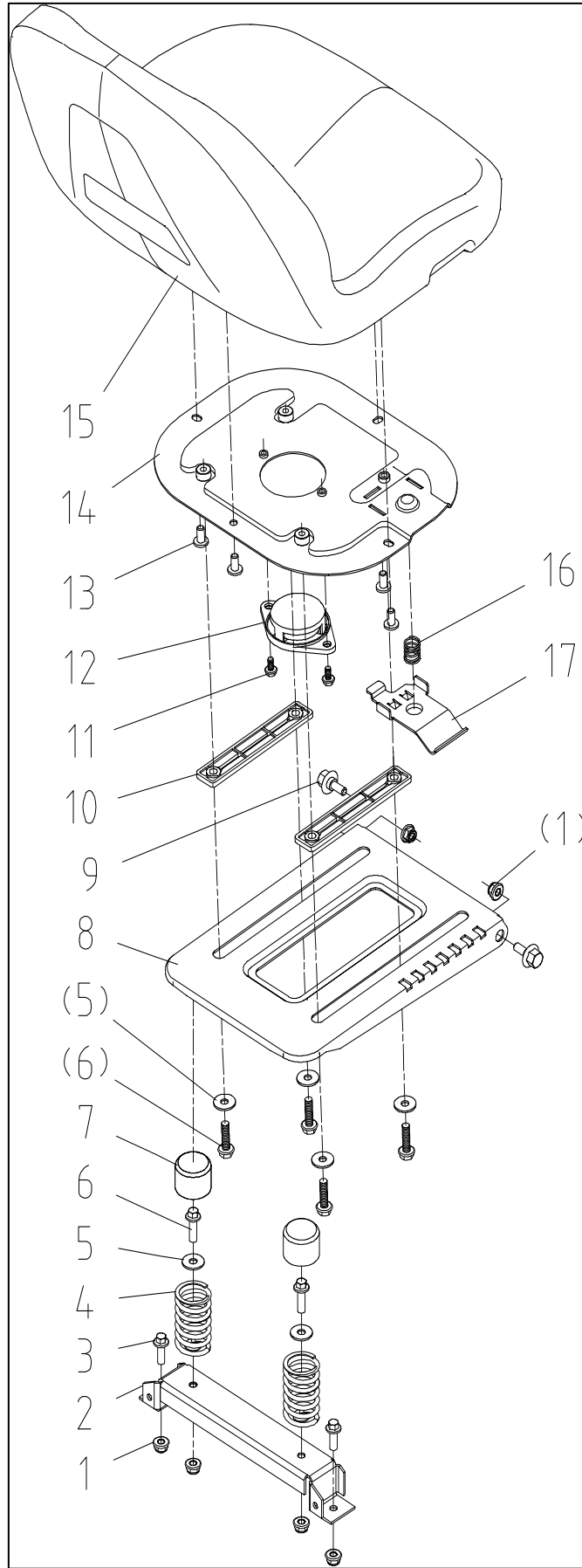
| POS | QTY | PARTNUMBER | BESKRIVELSE        | DESCRIPTION              |
|-----|-----|------------|--------------------|--------------------------|
| 1   | 2   | 439521     | NAVKAPSEL          | HUB COVER                |
| 2   | 2   | 436587     | SEEGERRING Ø24     | SNAP RING 19             |
| 3   | 2   | 439522     | SKIVE 20X43X3      | WASHER 20x43x3           |
| 4   | 4   | 439523     | SKIVE              | WASHER                   |
| 5   | 2   | 452595     | FORHJUL KOMPLET    | FRONT WHEEL ASSEMBLY     |
| 6   | 1   | 451682     | HJULGAFFEL HØJRE   | FRONT AXLE RH            |
| 7   | 2   | 436590     | SKIVE M10          | WASHER                   |
| 8   | 4   | 439525     | BØS                | BUSHING                  |
| 9   | 1   | 451683     | FORBRO             | FRONT AXLE WELDMENT      |
| 10  | 1   | 449501     | LÅSEMØTRIK M8      | FLANGE LOCK NUT M6       |
| 11  | 1   | 449513     | BESLAG             | TURNING ARM              |
| 12  | 2   | 440881     | SKIVE              | WASHER                   |
| 13  | 2   | 439440     | FJEDERSKIVE 10     | SPRING WASHER 10         |
| 14  | 2   | 439462     | BOLT M8X16         | BOLT M8x16               |
| 15  | 1   | 439441     | BOLT M8X45         | FLANGE BOLT M10x1.5x35   |
| 16  | 1   | 439474     | AFSTANDSSTYKKE     | FLANGE LOCK NUT M10x1.25 |
| 17  | 1   | 451684     | FORRØR             | LINER TUBE               |
| 18  | 2   | 439498     | SMØRENIPPEL        | OIL INJECTION NOZZLE     |
| 19  | 2   | 436590     | SKIVE M10          | WASHER                   |
| 20  | 1   | 440954     | BOLT M6X20         | HEXGON BOLT M6X20        |
| 21  | 1   | 451685     | HJULGAFFEL VENSTRE | FRONT AXLE LH            |



| POS | QTY | PARTNUMBER | BESKRIVELSE                                       | DESCRIPTION                     |
|-----|-----|------------|---|---------------------------------|
| 1   | 1   | 451686     | KARDANLED   | JOINT BEARING M10               |
| 2   | 2   | 449512     | MØTRIK M8   | NUT M8                          |
| 3   | 1   | 451687     | FORBINDELSESSTANG                                 | STEERING DRAG ROD               |
| 4   | 7   | 449501     | LÅSEMØTRIK M8                                     | FLANGE LOCK NUT M6              |
| 5   | 1   | 451688     | PLADE MED FIRKANTET HUL                           | SQUARE HOLE CARD BOARD          |
| 6   | 2   | 439472     | BOLT M8X20  | BOLT M8×20                      |
| 7   | 6   | 439441     | BOLT M8X45  | FLANGE BOLT M10×1.5×35          |
| 8   | 1   | 451689     | SAMLE BESLAG                                      | COUPLINGS                       |
| 9   | 1   | 451690     | BØS   | HATCH BUSHING                   |
| 10  | 1   | 436587     | SEEGERRING Ø24                                    | SNAP RING 19                    |
| 11  | 1   | 451691     | RATSTAMME   | STEERING COLUMN                 |
| 12  | 1   | 439544     | LÅSEMØTRIK M10                                    | LOCK NUT M10                    |
| 13  | 2   | 451692     | GUMMIBØS  | ELASTIC RUBBER BUSH             |
| 14  | 1   | 451693     | STYRESTANG  | STEERING TIE ROD                |
| 15  | 2   | 451694     | PINBOLT M8X28                                     | PIN SCREW M8×28                 |
| 16  | 1   | 451695     | GEAR TANDHJUL TIL<br>RATSTAMME                    | STEERING GEAR LEFT              |
| 17  | 1   | 439549     | SPLIT 6X26  | PIN 6×26                        |
| 18  | 2   | 436590     | SKIVE M10   | WASHER                          |
| 19  | 1   | 439553     | BØSNING   | HEXAGON BUSHING                 |
| 20  | 1   | 439552     | BØS   | BUSHING                         |
| 21  | 1   | 451696     | LÅSERING 16                                       | SNAP RING 16                    |
| 22  | 1   | 449518     | BOLT M8X45  | TIE PLATE                       |
| 23  | 2   | 439550     | BØS   | BUSHING                         |
| 24  | 1   | 451697     | STYREPLADE  | STEERING GEAR PLATE<br>WELDMENT |
| 25  | 1   | 439547     | BESLAG  | DOUBLE HOLE BOARD               |
| 26  | 1   | 439542     | FORBINDELSESLED                                   | JOINT BEARING SIJK10C           |
| 27  | 1   | 439481     | LÅSEMØTRIK M10X1.25                               | LOCK NUT M10×1.25               |
| 28  | 1   | 451698     | FORBINDELSESSTANG FOR<br>RATSTAMME                | STEERING WHEEL ROD A            |
| 29  | 2   | 429739     | PLADESKRUE MED<br>PANHOVED OG POZIDRIVE<br>4,8X14 | ST SCREW 4.8X13                 |
| 30  | 1   | 451699     | RAT   | STEERING WHEEL                  |
| 31  | 1   | 451700     | RATNAV  | SPLINED HUB                     |
| 32  | 1   | 451701     | SKIVE   | WASHER                          |
| 33  | 1   | 451702     | AFSKÆRMNING                                       | STEERING WHEEL CAP              |

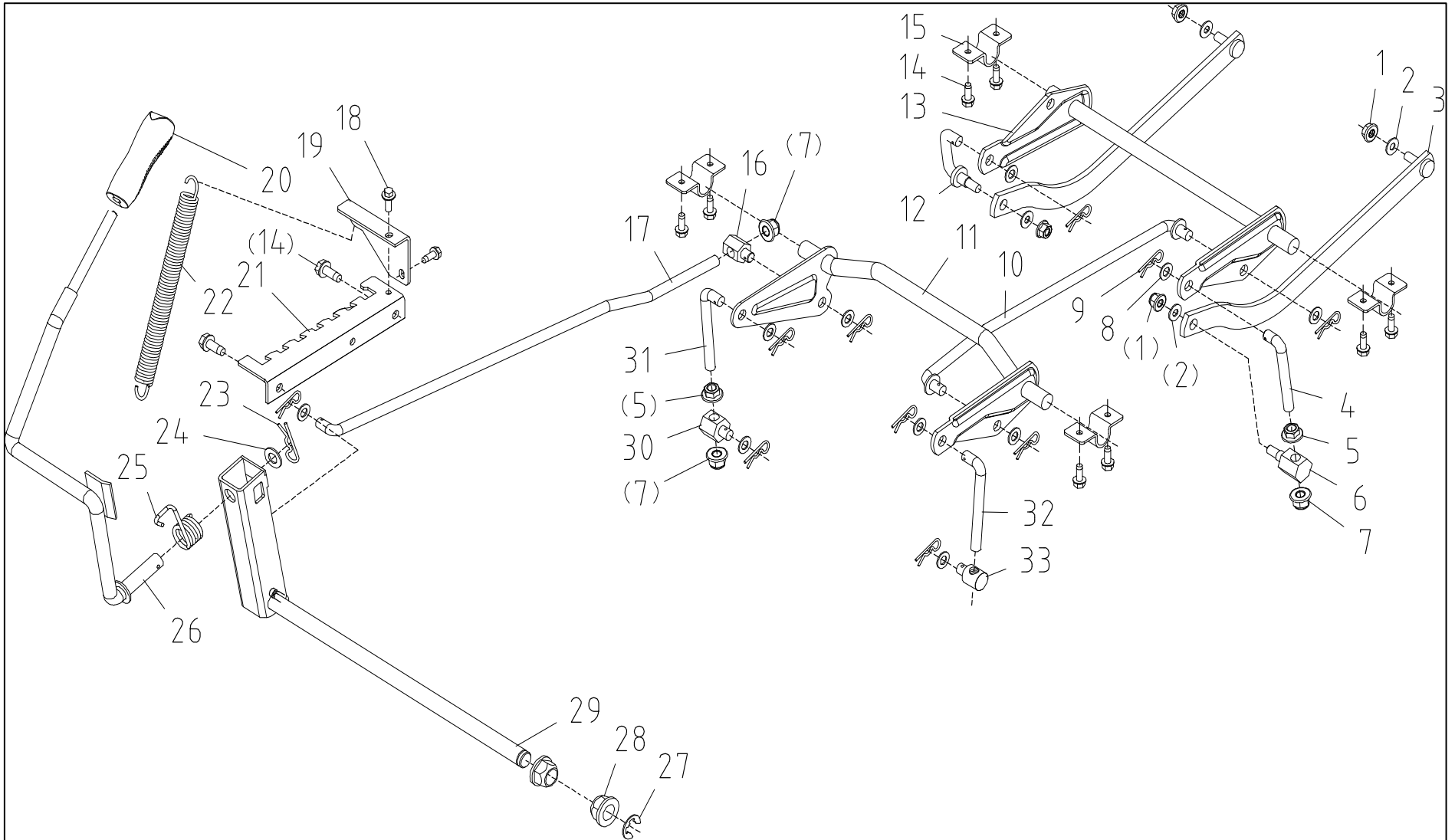


| POS | QTY | PARTNUMBER | BESKRIVELSE                  | DESCRIPTION                              |
|-----|-----|------------|------------------------------|--|
| 1   | 2   | 439521     | NAVKAPSEL                    | HUB COVER                                |
| 2   | 2   | 439532     | LÅSERING 8                   | RETAINER RING 15                         |
| 3   | 4   | 439522     | SKIVE 20X43X3                | WASHER 20x43x3                           |
| 4   | 2   | 436584     | BAGHJUL                      | REAR WHEEL ASSEMBLY                      |
| 5   | 2   | 439535     | NOT 4.75X7.75X60             | FLAT KEY 4.75x4.75x60                    |
| 6   | 1   | 449511     | BOLT M6X16                   | FLANGE BOLT M10x1.25x25                  |
| 7   | 1   | 449511     | BOLT M6X16                   | FLANGE BOLT M10x1.25x25                  |
| 8   | 1   | 451703     | PLADE FOR HYDROSTATISK AKSEL | REAR FIXED PLATE OF HYDRAULIC AXLE (T2 S |
| 9   | 6   | 449501     | LÅSEMØTRIK M8                | FLANGE LOCK NUT M6                       |
| 10  | 1   | 451704     | HYDROSTATISK GEAR            | TRANSAXLE, HYDRO GEAR                    |
| 11  | 1   | 451705     | SPLITBOLT                    | BOW-TIE COTTER PIN 2(K46)                |
| 12  | 4   | 449510     | FJEDERSPLIT                  | SPRING PIN                               |
| 13  | 1   | 439544     | LÅSEMØTRIK M10               | LOCK NUT M10                             |
| 14  | 2   | 449501     | LÅSEMØTRIK M8                | FLANGE LOCK NUT M6                       |
| 15  | 1   | 451706     | KABELHOLDER                  |  |
| 16  | 2   | 439472     | BOLT M8X20                   | BOLT M8x20                               |
| 17  | 1   | 452596     | BREMSEKABEL                  | BRAKE CABLE (K46)                        |
| 18  | 1   | 439694     | PEDALGUMMI BAK               | REVERSE PEDAL                            |
| 19  | 1   | 451708     | PEDALARM                     | FOOT LEVER WELDMENT                      |
| 20  | 4   | 449511     | BOLT M6X16                   | FLANGE BOLT M10x1.25x25                  |
| 21  | 1   | 439478     | FJEDERSPLIT                  | COTTER PIN                               |
| 22  | 4   | 439488     | MØTRIK M10X1.25              | " FLANGE NUT M10x1.25                    |
| 23  | 1   | 451709     | BESLAG FOR TRÆKSTANG         | PULL ROD PIN                             |
| 24  | 1   | 439481     | LÅSEMØTRIK M10X1.25          | LOCK NUT M10x1.25                        |
| 25  | 1   | 451710     | TRÆKSTANG                    | TRAVELING PULL ROD(K46)                  |
| 26  | 1   | 436590     | SKIVE M10                    | WASHER                                   |
| 27  | 1   | 452597     | BESLAG                       | CABLE FIXING PLATE                       |
| 28  | 4   | 451640     | BOLT M6X16                   | TAPPING SCREWM6*16                       |
| 29  | 1   | 451711     | FJEDER FOR BREMSE            | BRAKE RESET TENSION SPRING               |
| 30  | 2   | 451712     | BESLAG                       | U-SHAPED CLAMP                           |
| 31  | 4   | 451616     | FLANGEBOLT M5X16-18TX3/4     | FLANGE BOLT5/16-18TX3/4                  |
| 32  | 1   | 452542     | BESLAG                       | BRAK SWITCH SERT PLATE                   |
| 33  | 1   | 439695     | PEDAL FREM                   | FORWARD PEDAL                            |
| 34  | 1   | 436590     | SKIVE M10                    | WASHER                                   |
| 35  | 1   | 436590     | SKIVE M10                    | WASHER                                   |
| 36  | 1   | 449511     | BOLT M6X16                   | FLANGE BOLT M10x1.25x25                  |
| 37  | 1   | 452543     | TRINDÆKSEL                   | STEP COVER                               |
| 38  | 1   | 452544     | PARKERINGSKROG               | PARKING HOOK                             |
| 39  | 1   | 452545     | SKIVE 8                      | BIG WASHER 8                             |
| 40  | 1   | 452546     | BREMSE                       | DRAG LINK, BRAKE PARKING                 |
| 41  | 1   | 436602     | FJEDER                       | CLUTCH LEVER SPRING                      |
| 42  | 1   | 451718     | BREMSE HÅNDTAG               | BRAKE HANDLE                             |
| 43  | 1   | 451719     | STIFT U-FORMET               | U BOLT                                   |
| 44  | 1   | 451720     | BREMSE PEDAL                 | BRAKE FOOT BAR WELDMENT(HYDRAULIC PRESSU |
| 45  | 1   | 451721     | GUMMI BESLAG TIL BREMSEPEDAL | BRAKE PEDAL                              |

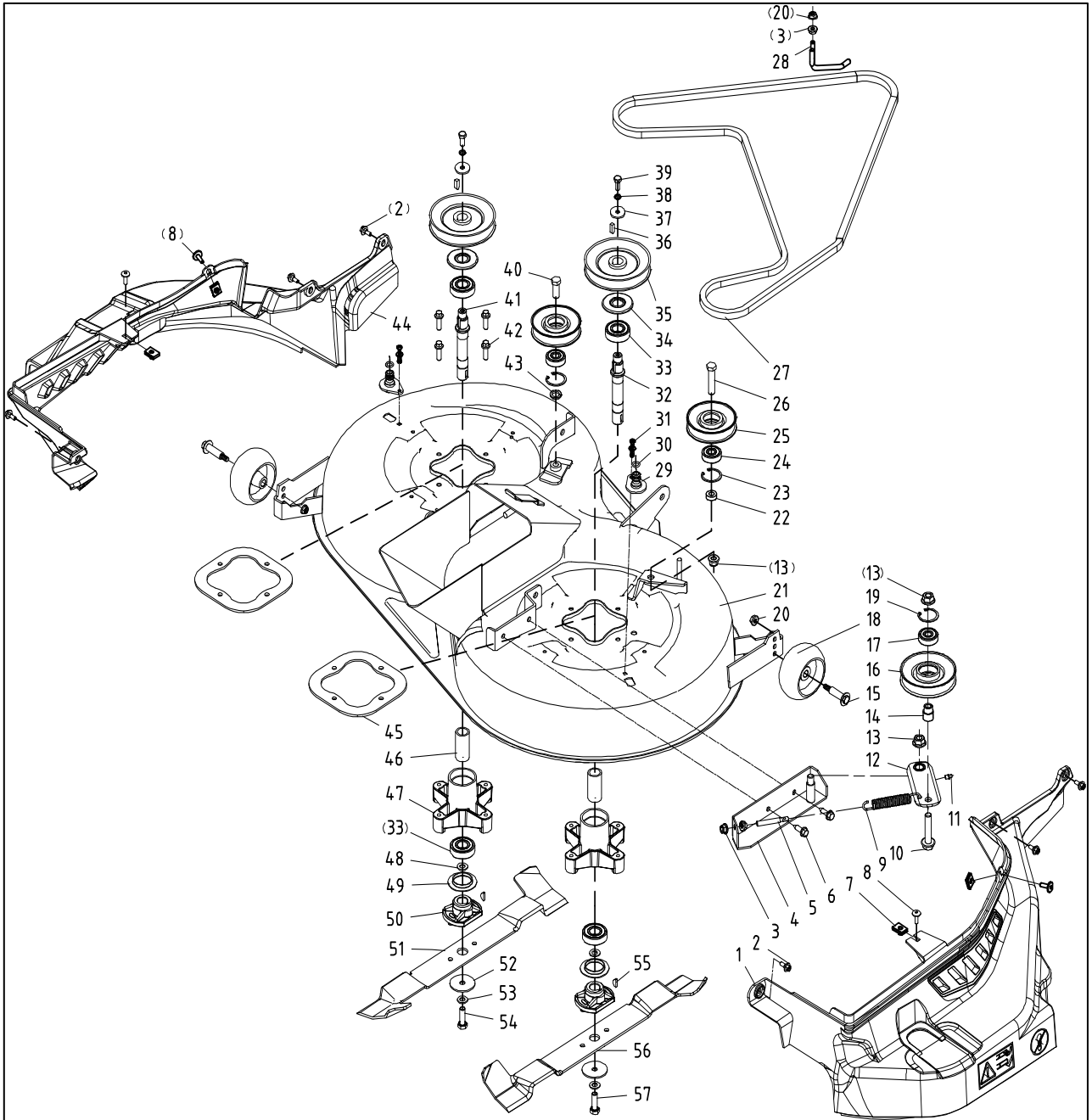




| POS | QTY | PARTNUMBER | BESKRIVELSE             | DESCRIPTION                                |
|-----|-----|------------|-------------------------|--|
| 1   | 6   | 449501     | LÅSEMØTRIK M8           | FLANGE LOCK NUT M6                         |
| 2   | 1   | 451722     | BESLAG FOR SÆDE         | SEAT BACK BEAM                             |
| 3   | 2   | 90122150   | FLANGEBOLT M8X20        | COLLAR BOLT M8X20                          |
| 4   | 2   | 439572     | FJEDER                  | SEAT SPRING                                |
| 5   | 6   | 439465     | SKIVE M10               | BIG WASHER 6                               |
| 6   | 6   | 448017     | FLANGEBOLT M8X25        | HEXAGON FLANGE BOLT M8X25                  |
| 7   | 2   | 439573     | PROP                    | SPRING CAP                                 |
| 8   | 1   | 452548     | SÆDEBESLAG              | JUSTABLE SEAT BASE PLATE                   |
| 9   | 2   | 452549     | SKRUE                   | SEAT SCREWS                                |
| 10  | 2   | 452550     | SÆDESTRIMMEL            | SEAT CUSHION STRIP                         |
| 11  | 2   | 451640     | BOLT M6X16              | TAPPING SCREWM6*16                         |
| 12  | 1   | 452551     | SÆDE KONTAKT            | SEAT SWITCH COMPONENTS                     |
| 13  | 4   | 465111     | SKRUE M8X20             | HEXAGON SOCKET FLAT ROUND HEAD SCREW M8X20 |
| 14  | 1   | 465112     | SÆDEPLADE               | SEAT PLATE                                 |
| 15  | 1   | 465113     | SÆDE                    |  |
| 16  | 1   | 465114     | FJEDER                  | SPRING                                     |
| 17  | 1   | 465115     | PLADE FOR SÆDEJUSTERING | SEAT ADJUSTMENT PLATE                      |

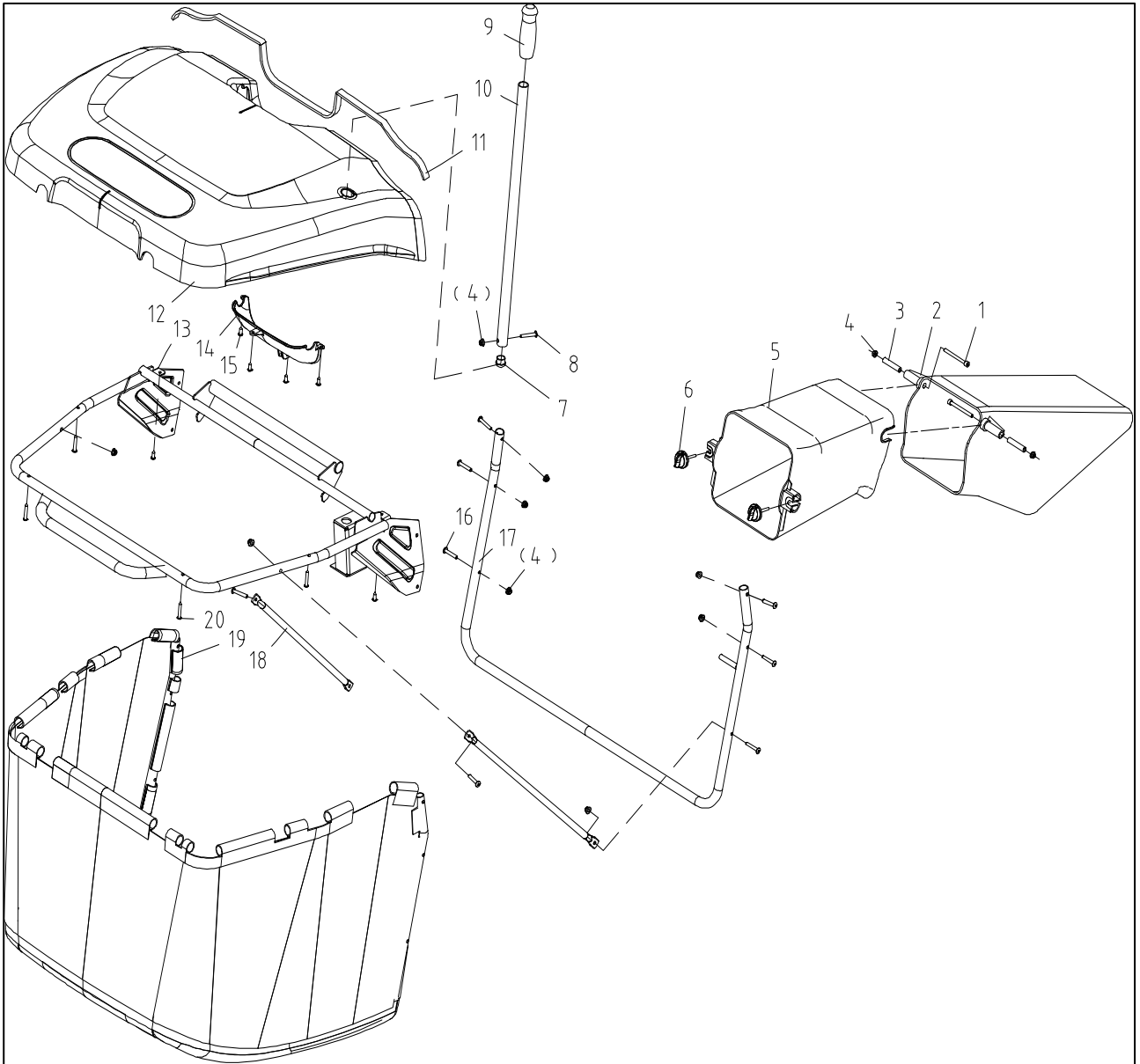


| POS | QTY | PARTNUMBER | BESKRIVELSE              | DESCRIPTION                               |
|-----|-----|------------|--------------------------|---|
| 1   | 4   | 449501     | LÅSEMØTRIK M8            | FLANGE LOCK NUT M6                        |
| 2   | 4   | 439465     | SKIVE 10                 | BIG WASHER 6                              |
| 3   | 2   | 451728     | FRONT BESLAG (STIVER)    | FRONT STAY BAR WELDMENT                   |
| 4   | 1   | 451729     | STØTTE BESLAG FORREST    | FRONT RIGHT DERRICK                       |
| 5   | 2   | 439488     | MØTRIK M10X1.25          | " FLANGE NUT M10×1.25                     |
| 6   | 1   | 451730     | JUSTERINGS BOLT          | PIN                                       |
| 7   | 3   | 439474     | AFSTANDSSTYKKE           | FLANGE LOCK NUT M10×1.25                  |
| 8   | 10  | 436590     | SKIVE M10                | WASHER                                    |
| 9   | 10  | 439478     | FJEDERSPLIT              | COTTER PIN                                |
| 10  | 1   | 451731     | LØFTESTANG               | LIFTING LINK ROD WELDMENT(REAR DISCHARGE) |
| 11  | 1   | 451732     | BAGARMS BESLAG           | REAR ARM WELDMENT (REAR)                  |
| 12  | 1   | 451733     | STØTTEBESLAG FORREST     | U DERRICK WELDMENT                        |
| 13  | 1   | 451734     | BESLAG FOR STØTTE        | FRONT ARM WELDMENT                        |
| 14  | 10  | 451616     | FLANGEBOLT M5X16-18TX3/4 | FLANGE BOLT5/16-18TX3/4                   |
| 15  | 4   | 451712     | BESLAG                   | U-SHAPED CLAMP                            |
| 16  | 1   | 439591     | JUSTERBOLT               | ADJUSTING PIN                             |
| 17  | 1   | 451735     | LØFTESTANG               | LIFTING PULL ROD(REAR DISCHARGE)          |
| 18  | 2   | 451640     | BOLT M6X16               | TAPPING SCREWM6*16                        |
| 19  | 1   | 451736     | BESLAG                   | SPRING HANGING PLATE TTM86, ELECTROPLATI  |
| 20  | 1   | 439503     | GREB                     | HANDLE                                    |
| 21  | 1   | 451737     | JUSTERINGSBESLAG         | RATCHET PLATE                             |
| 22  | 1   | 451738     | LØFTEFJEDER              | LIFTING HELPING SPRING                    |
| 23  | 1   | 440908     | SPLIT                    | HAIR PIN COTTER 3                         |
| 24  | 1   | 403342     | SKIVE 4                  | WASHER                                    |
| 25  | 1   | 440902     | FJEDER HØJRE             | TORSIONAL SPRING R                        |
| 26  | 1   | 451739     | LØFTESTANG               | LEVEL WELDMENT                            |
| 27  | 1   | 439532     | LÅSERING 8               | RETAINER RING 15                          |
| 28  | 2   | 439553     | BØSNING                  | HEXAGON BUSHING                           |
| 29  | 1   | 451740     | LØFTEARM                 | DECK LIFT SHIFT ASSEMBLE                  |
| 30  | 1   | 451741     | JUSTERINGSBOLT           | PIN JOINT, ELECTROPLATED                  |
| 31  | 1   | 451742     | ARM VENSTRE              | REAR LEFT SUSPENDER TTM86, ELECTROPLATED  |
| 32  | 1   | 451743     | ARM HØJRE                | REAR RIGHT SUSPENDER TTM86, ELECTROPLATE  |
| 33  | 1   | 439594     | JUSTERMØTRIK             | ADJUSTING PIN                             |



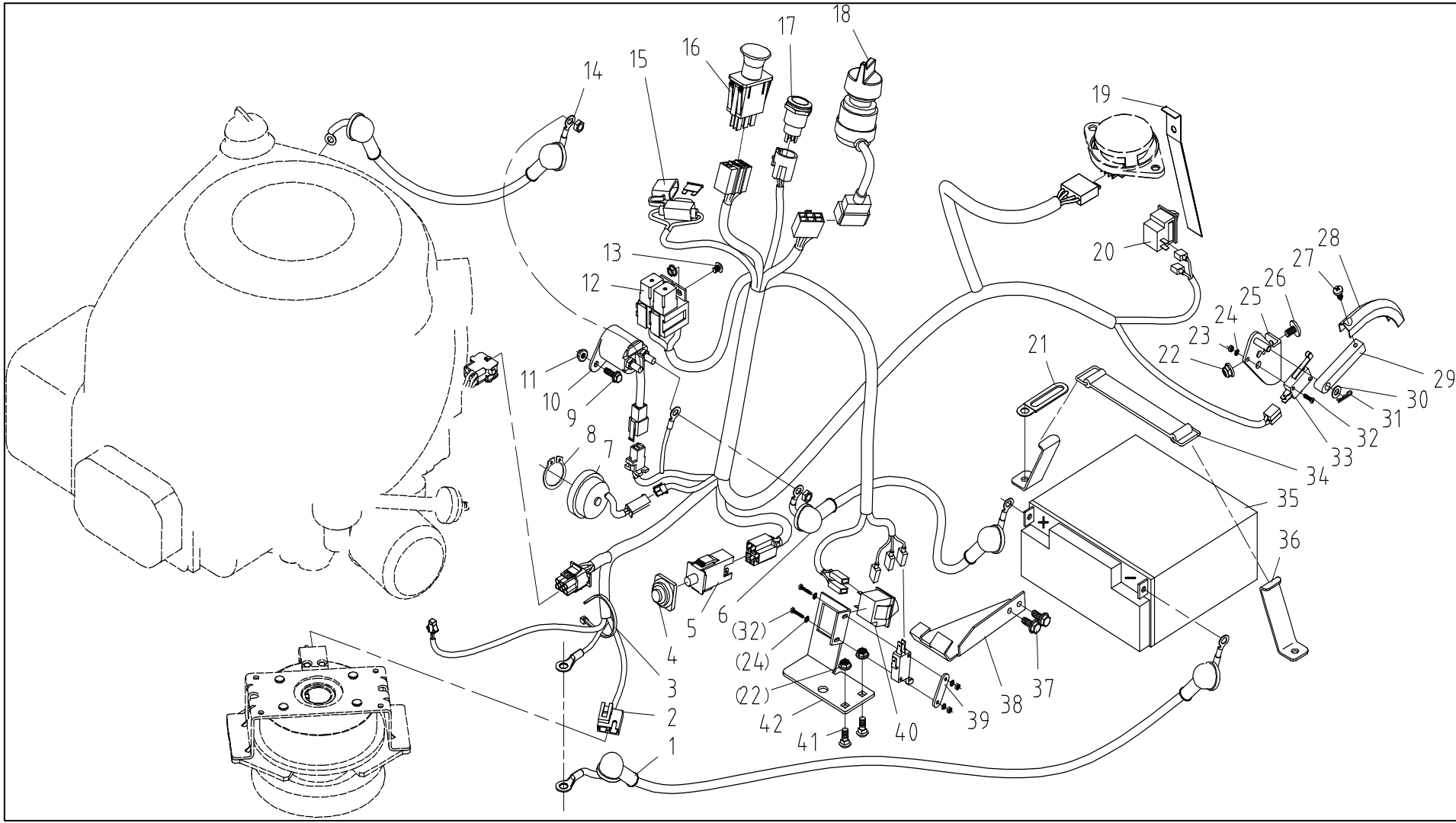
| POS | QTY | PARTNUMBER | BESKRIVELSE              | DESCRIPTION                              |
|-----|-----|------------|--------------------------|--|
| 1   | 1   | 451612     | SKÆRM BESLAG             | BELT COVER RIGHT                         |
| 2   | 6   | 451613     | SKRUE 6,3X11,5           | HEXAGON HEAD TAPPING SCREW6.3X11.5       |
| 3   | 3   | 403226     | FLANGEMØTRIK M6          | COLLAR NUT M8                            |
| 4   | 1   | 451614     | HOLDER                   | CUT TENTION SUPPORT WELDMENT             |
| 5   | 1   | 451615     | JUSTERINGSSKRUE          | ADJUSTING SCREW ROD                      |
| 6   | 2   | 451616     | FLANGEBOLT M5X16-18TX3/4 | FLANGE BOLT5/16-18TX3/4                  |
| 7   | 4   | 439509     | MØTRIK M6                | BUCKLE NUT M6                            |
| 8   | 4   | 439622     | SKRUE M6X16              | SCREW M6×16                              |
| 9   | 1   | 451617     | FJEDER                   | TRACTION SPRING                          |
| 10  | 1   | 449511     | BOLT M6X16               | FLANGE BOLT M10×1.25×25                  |
| 11  | 1   | 439498     | SMØRENIPPEL              | OIL INJECTION NOZZLE                     |
| 12  | 1   | 451618     | BOLT M12X1.25X50         | CUT TENTION ARM WELDMENT                 |
| 13  | 2   | 439474     | AFSTANDSSTYKKE           | FLANGE LOCK NUT M10×1.25                 |
| 14  | 1   | 451619     | LÅSEMØTRIK M12X1.25      | TENTION PULLEY CUSHION COVER             |
| 15  | 2   | 451620     | HJULAKSEL                | WHEEL AXLE                               |
| 16  | 1   | 451621     | REMHJUL                  | TENTION PULLEY WELDMENT TTM86,PLATING WH |
| 17  | 1   | 436583     | LEJE 6203-2RZ            | BEARING 61904-2RZ                        |
| 18  | 2   | 452609     | HJUL                     | WHEEL                                    |
| 19  | 1   | 439480     | LÅSERING 37              | SNAP RING 37                             |
| 20  | 3   | 449501     | LÅSEMØTRIK M8            | FLANGE LOCK NUT M6                       |
| 21  | 1   | 451622     | KLIPPEBORD               | DECK WELDMENT                            |
| 22  | 1   | 451623     | LEJE                     | RIGHT GUIDE WHEEL CUSHION COVER          |
| 23  | 2   | 439480     | LÅSERING 37              | SNAP RING 37                             |
| 24  | 2   | 436583     | LEJE 6203-2RZ            | BEARING 61904-2RZ                        |
| 25  | 2   | 436574     | REMSKIVE                 | TENSION PULLEY                           |
| 26  | 1   | 451624     | BOLT LANG                | TENTION PULLEY BOLT LONG TTM86,BLACKEN   |
| 27  | 1   | 451625     | KLIPPEREM                | BELT                                     |
| 28  | 1   | 452610     | STANG                    | CLUTCH LEVER WELDING PART TTM86          |
| 29  | 2   | 439613     | VASKESTUDS               | WATER NOZZLE                             |
| 30  | 2   | 439612     | SKIVE 11.2X2.65          | O RING 11.2×2.65                         |
| 31  | 2   | 451626     | PLASTIKNITTE             | PLASTIC EXPANSION RIVETS                 |
| 32  | 1   | 451627     | KNIVAKSEL HØJRE          | RIGHT BLADE AXLE                         |
| 33  | 4   | 440923     | LEJE 6204-2RZ            | BEARING 6204-2RZ                         |
| 34  | 2   | 440944     | LEJE                     | HOOD, BEARING                            |
| 35  | 2   | 439616     | REMSKIVE                 | PULLEY                                   |
| 36  | 2   | 439617     | NOT                      | FLAT KEY C6×18                           |
| 37  | 2   | 440881     | SKIVE                    | WASHER                                   |
| 38  | 2   | 403343     | FJEDERSKIVE              | SPRING COLLAR                            |
| 39  | 2   | 449511     | BOLT M6X16               | FLANGE BOLT M10×1.25×25                  |
| 40  | 1   | 451628     | BOLT                     | BOLT                                     |
| 41  | 1   | 451629     | KNIVAKSEL VENSTRE        | LEFT BLADE AXLE                          |
| 42  | 8   | 449511     | BOLT M6X16               | FLANGE BOLT M10×1.25×25                  |
| 43  | 1   | 403343     | FJEDERSKIVE              | SPRING COLLAR                            |
| 44  | 1   | 451630     | REMSKÆRM VENSTRE         | BELT COVER LEFT                          |

| POS | QTY | PARTNUMBER | BESKRIVELSE          | DESCRIPTION                      |
|-----|-----|------------|----------------------|----------------------------------|
| 45  | 2   | 452571     | PLADE (FORSTÆRKNING) | DECK DISC REINFORCEMENT<br>PLATE |
| 46  | 2   | 440926     | AFSTANDSRØR          | PIVOT TUBE                       |
| 47  | 2   | 440549     | KNIVAKSEL            | CUTTTER HOUSE                    |
| 48  | 2   | 440548     | AFSTANDSSKIVE        | SPACER RING                      |
| 49  | 2   | 440573     | SKIVE 50X20,2X2      | WASHER 50X20.2X2                 |
| 50  | 2   | 436588     | KNIVHOLDER           | SLEEVE                           |
| 51  | 1   | 451631     | KNIV VENSTRE         | LEFT BLADE                       |
| 52  | 2   | 436591     | SKIVE                | SAUCER WASHER                    |
| 53  | 2   | 436590     | SKIVE M10            | WASHER                           |
| 54  | 1   | 436589     | KNIVBOLT             | BOLT 3/8-24UNF                   |
| 55  | 2   | 409860     | NOT HALVCIRKEL       | HALFMOON KEY                     |
| 56  | 1   | 451632     | KNIV HØJRE           | RIGHT BLADE                      |
| 57  | 1   | 436589     | KNIVBOLT             | BOLT 3/8-24UNF                   |

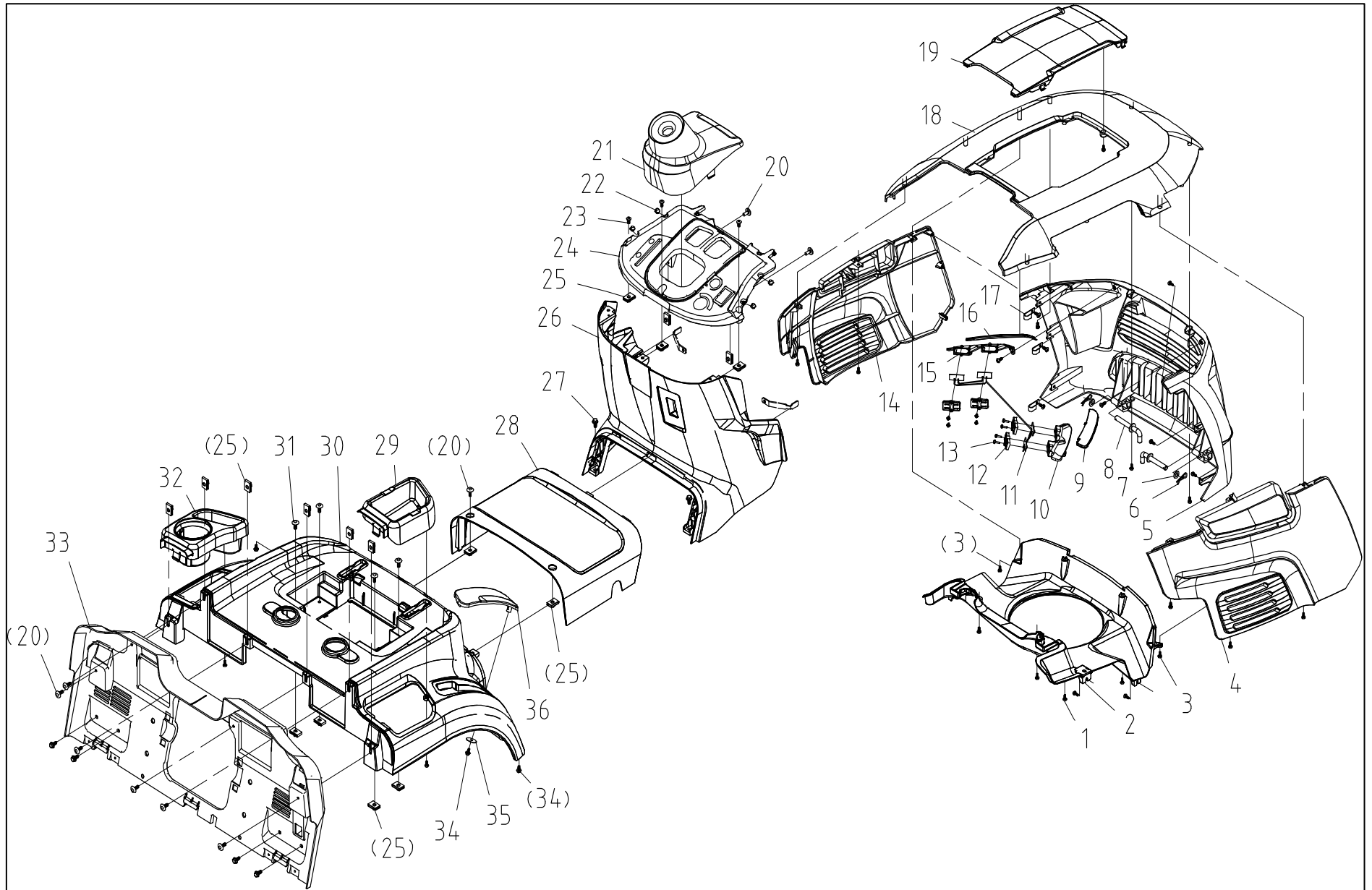


| POS | QTY | PARTNUMBER | BESKRIVELSE         | DESCRIPTION                                 |
|-----|-----|------------|---------------------|---|
| 1   | 2   | 439492     | SKRUE M6X20         | SCREW M6×20                                 |
| 2   | 1   | 451786     | GRÆSOPSAMLER FRONT  | FRONT GRASS COLLECTOR                       |
| 3   | 2   | 451787     | BØS 6*10*48         | SPACER 6*10*48                              |
| 4   | 11  | 449501     | LÅSEMØTRIK M8       | FLANGE LOCK NUT M6                          |
| 5   | 1   | 451788     | OPSAMLER BAG        | REAR GRASS COLLECTOR                        |
| 6   | 2   | 451789     | LÅSEPAL             | LOCK KNOB                                   |
| 7   | 1   | 451790     | PROP                | CORE PLUG                                   |
| 8   | 1   | 439492     | SKRUE M6X20         | SCREW M6×20                                 |
| 9   | 1   | 440587     | GREB                | HANDLE                                      |
| 10  | 1   | 440588     | STANG               | LEVER                                       |
| 11  | 1   | 452577     | AFDÆKNING           | SEALING WOOL TTM86                          |
| 12  | 1   | 451792     | TOPDÆKSEL           | COVER                                       |
| 13  | 1   | 451793     | TOP RAMME           | GRASS COLLECTING FRAME<br>FRONT SUPPORT WEL |
| 14  | 1   | 451794     | PLADE               | HANDLE DECPRATIVE PLATE                     |
| 15  | 6   | 451784     | SKRUE ST4.8X16      | TAPPING SCREW ST4.8X16                      |
| 16  | 8   | 451795     | BOLT M6X35          | HEXAGON BOLT M6X35                          |
| 17  | 1   | 451796     | RAMME UNDERDEL      | GRASS COLLECTING FRAME<br>STATE SUPPORT WEL |
| 18  | 2   | 451797     | SIDESTAGSRØR        | SIDE STAY PIPE                              |
| 19  | 1   | 451798     | GRÆSFANGER BUND+NET | GRASS CATCHER(BOTTOM<br>+CATCHER)           |
| 20  | 4   | 451784     | SKRUE ST4.8X16      | TAPPING SCREW ST4.8X16                      |





| POS | QTY | PARTNUMBER | BESKRIVELSE               | DESCRIPTION                     |
|-----|-----|------------|---------------------------|---------------------------------|
| 1   | 1   | 451758     | KABEL                     | GROUND CABLE                    |
| 2   | 1   | 451744     | LEDNINGSNET               | ELECTRIC CABLE (ELECTRIC START) |
| 4   | 1   | 452579     | HÆTTE FOR KONTAKT         | COVER, SWITCH                   |
| 5   | 1   | 452580     | TÆND/SLUK KONTAKT         | SWITCH, PLUNGER                 |
| 6   | 1   | 439672     | LEDNING                   | BATTERY CABLE                   |
| 7   | 1   | 451746     | KONTAKT                   | BUZZER                          |
| 8   | 1   | 436587     | SEEGERRING Ø24            | SNAP RING 19                    |
| 9   | 2   | 439441     | BOLT M8X45                | FLANGE BOLT M10×1.5×35          |
| 10  | 1   | 439660     | RELÆ                      | STAR RELAY                      |
| 11  | 3   | 449501     | LÅSEMØTRIK M8             | FLANGE LOCK NUT M6              |
| 12  | 2   | 452581     | RELÆ                      | RELAY YAP23H-12-HR              |
| 13  | 1   | 452582     | BOLT M5X12                | SCREW M5×12                     |
| 14  | 1   | 439661     | LEDNING                   | POWER CABLE                     |
| 15  | 1   | 452611     | SIKRING BRM148S 20A       | FUSE BRM148S?20A                |
| 16  | 1   | 451748     | KONTAKT FOR KOBLING       | SWITCH, PTO                     |
| 17  | 1   | 452583     | KONTAKT                   | SWITCH                          |
| 18  | 1   | 451750     | KONTAKT INKL. NØGLE       | ELECTRIC DOOR LOCK              |
| 19  | 1   | 451753     | BESLAG                    | SPRING PLATE                    |
| 20  | 2   | 451752     | KONTAKT                   | SWITCH                          |
| 21  | 1   | 452584     | KLEMME                    | WIRE CLAMP                      |
| 22  | 4   | 449501     | LÅSEMØTRIK M8             | FLANGE LOCK NUT M6              |
| 23  | 4   | 449512     | MØTRIK M8                 | NUT M8                          |
| 24  | 4   | 451754     | SKIVE                     | WASHER 3                        |
| 25  | 1   | 451755     | PLADE FOR KONTAKT         | SWITCH BASE                     |
| 26  | 2   | 439622     | SKRUE M6X16               | SCREW M6×16                     |
| 27  | 1   | 439626     | SKRUE ST4.8X16            | SCREW ST4.8×16                  |
| 28  | 1   | 451756     | KROG                      | HOOK                            |
| 29  | 1   | 440803     | KONTAKT ARM               | SWITCH LEVER                    |
| 30  | 1   | 439465     | SKIVE 10                  | BIG WASHER 6                    |
| 31  | 1   | 439456     | SPLIT                     | SPLIT PIN                       |
| 32  | 4   | 449498     | SKRUE M4X16               | SCREW M4×16                     |
| 33  | 1   | 440431     | KONTAKT                   | SWITCH                          |
| 34  | 1   | 449527     | BATTERIHOLDER TOP         | BELT                            |
| 35  | 1   | 440968     | BATTERI 12V/18AH          | BATTERY                         |
| 36  | 2   | 451757     | BESLAG                    | HOOK                            |
| 37  | 2   | 451640     | BOLT M6X16                | TAPPING SCREWM6*16              |
| 38  | 1   | 451759     | PLADE FOR BAKGEARSKONTAKT | SWITCH LEVER                    |
| 39  | 1   | 451760     | SKIVE                     | WASHER                          |
| 40  | 2   | 451751     | KONTAKT                   | SWITCH                          |
| 41  | 2   | 439472     | BOLT M8X20                | BOLT M8×20                      |
| 42  | 1   | 451761     | PLADE FOR BAKGEARSKONTAKT | SWITCH BASE                     |



| POS | QTY | PARTNUMBER | BESKRIVELSE                 | DESCRIPTION                                 |
|-----|-----|------------|-----------------------------|---|
| 1   | 27  | 439626     | SKRUE ST4.8X16              | SCREW ST4.8×16                              |
| 2   | 1   | 451762     | LUFTINDTAG                  | AIR DIRECTOR                                |
| 3   | 2   | 439626     | SKRUE ST4.8X16              | SCREW ST4.8×16                              |
| 4   | 1   | 451763     | FRONT SKÆRM HØJRE           | RIGHT SIDE COVER                            |
| 5   | 1   | 451764     | FRONT COVER                 | FRONT COVER                                 |
| 6   | 2   | 439478     | FJEDERSPLIT                 | COTTER PIN                                  |
| 7   | 2   | 436590     | SKIVE M10                   | WASHER                                      |
| 8   | 2   | 451765     | STANG                       | PIN   |
| 9   | 1   | 451766     | LYS COVER HØJRE             | RIGHT LIGHT COVER                           |
| 10  | 1   | 451767     | LYSBASE HØJRE               | RIGHT LIGHT BASE<br>TTM86,BRIGHT SILVER PLA |
| 11  | 1   | 451768     | PÆRE                        | LIGHT                                       |
| 12  | 4   | 451769     | LYSBASE COVER HØJRE         | LAMP BASE COVER TTM86,<br>BLACK             |
| 13  | 8   | 439626     | SKRUE ST4.8X16              | SCREW ST4.8×16                              |
| 14  | 1   | 451771     | FRONT SKÆRM VENSTRE         | LEFT SIDE COVER                             |
| 15  | 1   | 451770     | LYGTEBASE VENSTRE           | LEFT LIGHT BASE                             |
| 16  | 1   | 451772     | LYS COVER VENSTRE           | LEFT LIGHT COVER                            |
| 17  | 4   | 415950     | BESLAG                      | CORD SPLINT                                 |
| 18  | 1   | 451773     | MOTOR COVER                 | ENGINE COVER                                |
| 19  | 1   | 451774     | LUFTINDTAG COVER            | ENGINE COVER AIR INTAKE                     |
| 20  | 10  | 439622     | SKRUE M6X16                 | SCREW M6×16                                 |
| 21  | 1   | 451775     | RAT COVER                   | STEERING WHEEL COVER                        |
| 22  | 4   | 451776     | ANTI-VIBRATION GUMMI        | HANDLE ANTI-VIBRATION<br>RUBBER             |
| 23  | 3   | 449498     | SKRUE M4X16                 | SCREW M4×16                                 |
| 24  | 1   | 451777     | PANEL                       | PANEL                                       |
| 25  | 17  | 439509     | MØTRIK M6                   | BUCKLE NUT M6                               |
| 26  | 1   | 451778     | SKJOLD                      | SHIELD                                      |
| 27  | 6   | 451640     | BOLT M6X16                  | TAPPING SCREWM6*16                          |
| 28  | 1   | 451779     | VEDLIGEHOLDELSESDÆKSE<br>L  | MAINTENANCE COVER                           |
| 29  | 1   | 451780     | OPBEVARINGSKASSE HØJRE      | RIGHT STORAGE BOX                           |
| 30  | 1   | 451781     | BAGPLADE                    | REAR SEAT                                   |
| 31  | 4   | 439622     | SKRUE M6X16                 | SCREW M6×16                                 |
| 32  | 1   | 451782     | OPBEVARINGSKASSE<br>VENSTRE | LEFT STORAGE BOX                            |
| 33  | 1   | 451783     | BAGKONSOL                   | REAR COVER TAIL-BOARD                       |
| 34  | 5   | 451784     | SKRUE ST4.8X16              | TAPPING SCREW ST4.8X16                      |
| 35  | 1   | 439454     | TANKPAKNING 6X25X1.5        | GASKET 6×25×1.5                             |
| 36  | 1   | 451785     | DEKORATIV PLADE             | STALL DECORATIVE PLATE                      |