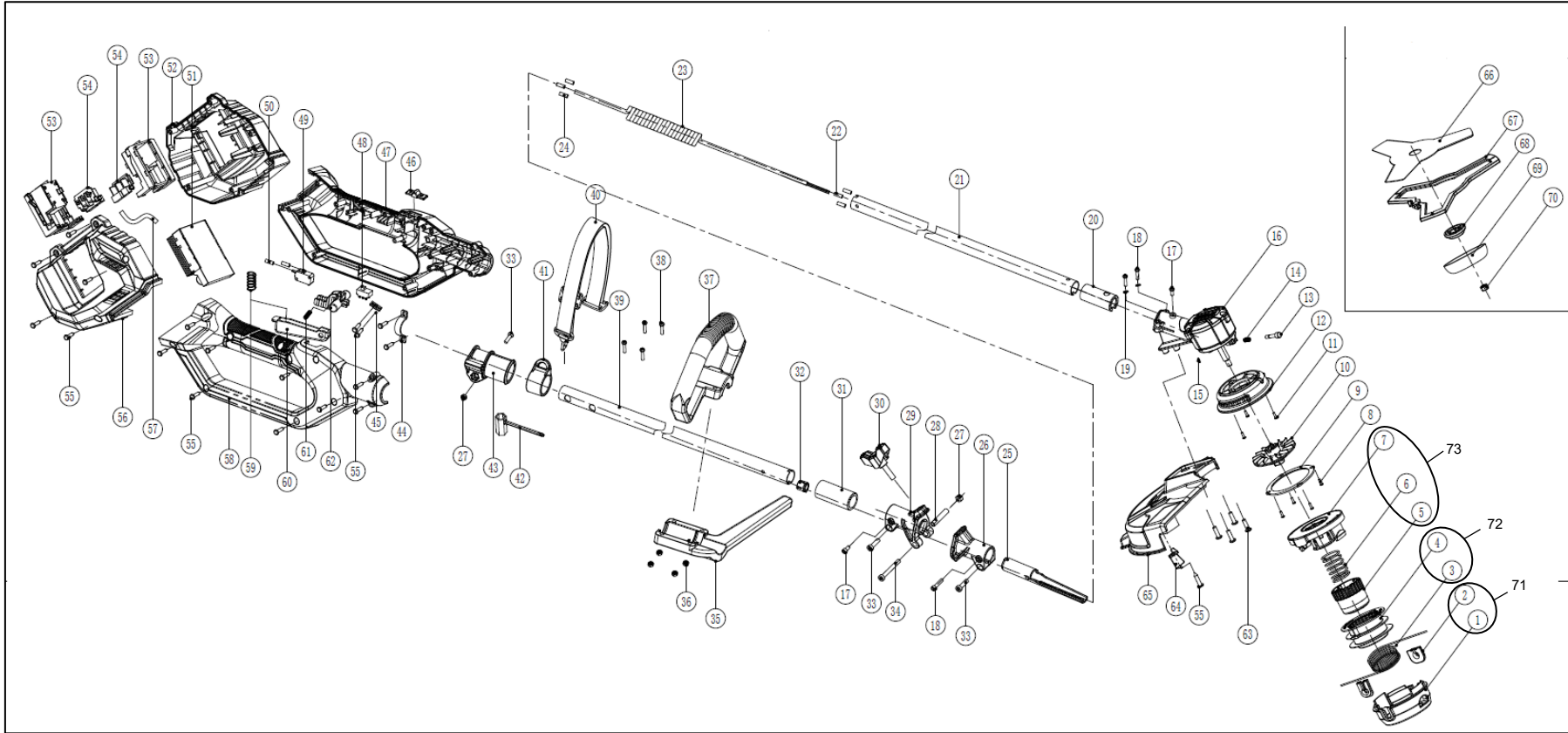


Model: BCX2020

Part Number: 90063261

Year: 2023



POS	QTY	PARTNUMBER	BESKRIVELSE	DESCRIPTION
1	1	452168	TRIMMERHOVED DÆKSEL	STRAW HEAD COVER
2	2	452169	SNØRRE UD GANG	OUTLET HOLE BLOCK
3	5	452170	TRIMMERSNØRE	NYLON WIRE
4	1	452171	SNØRERULLE	CORD REEL
5	1	452172	TRIMMERHOVED	KNOCKING HEAD
6	1	452173	FJEDER	OUTLET SPRING
7	1	452174	TRIMMERHOVED TOP	TRIMMER HEAD SEAT
8	4	452175	SKRUE	INTERNAL PLUM COUNTERSUNK HEAD TAPPING S
9	1	452176	BESKYTTELSE	HOOD COVER
10	1	452177	VENTILATOR	FAN BLADE
11	3	452178	SKRUE	INTERNAL PLUM PAN HEAD MACHINE TOOTH SCR
12	1	452179	COVER	FAN COVER
13	1	452180	LÅSEPAL	LOCK BUTTON
14	1	452181	FJEDER	LOCK SHAFT BUTTON SPRING
15	1	452182	KRAVE	E ELASTIC COLLAR FOR AXLE
16	1	452183	MOTOR	BRUSHLESS MOTOR
17	2	452184	SKRUE	HEXAGON SOCKET CAP SCREWS
18	3	452185	SKRUE	HEX SOCKET CYLINDRICAL HEAD MACHINE TEET
19	2	452010	SKIVE	SPRING WASHER
20	1	452186	DÆMPE	DAMPING RUBBER BOOT
21	1	452187	RØR NEDRE	LOWER ALUMINUM TUBE
22		452188	VARMERØR	HEAT SHRINK TUBING
23	1	452189	FJEDER	SPRING WIRE
24		452190	VARMERØR	HEAT SHRINK TUBING
25	1	452191	RØGRØR	FLUE PIPE
26	1	452192	FORBINDELSSESLED NEDRE	LOWER CONNECTING PIPE
27	2	452141	MØTRIK	HEXAGON NUT
28	1	452193	BØS	COUPLING SLEEVE
29	1	452194	FORBINDELSSESLED ØVRE	UPPER CONNECTING PIPE
30	1	452195	FINGERSKRUE	CONNECTING PIPE ROTARY KNOB
31	1	452196	GUMMI BØS	RUBBER BOOT
32	1	452197	KRAVE	SLEEVE FOR PROTECTING WIRE
33	3	452198	BOLT	HEX SOCKET CYLINDRICAL HEAD MACHINE TEET
34	1	452199	BOLT	HEX SOCKET CYLINDRICAL HEAD MACHINE TEET
35	1	452200	HÅNDTAG	AUXILIARY HANDLE
36	4	452201	MØTRIK	HEXAGON CHECK NUT
37	1	452202	HÅNDTAG	AUXILIARY HANDLE
38	4	452203	SKRUE	HEX SOCKET CYLINDRICAL HEAD MACHINE TEET
39	1	452204	RØR ØVRE	UPPER ALUMINUM TUBE
40	1	452205	SELE	SUSPENDER
41	1	452206	KROG	SUSPENDER BUCKLE

POS	QTY	PARTNUMBER	BESKRIVELSE	DESCRIPTION
42	1	452207	VÆRKTØJ	SOCKET ALLEN WRENCH
43	1	452208	HOLDER	BELT BUCKLE SEAT
44	1	452209	BESLAG	ALUMINUM TUBE PRESSURE PLATE
45	1	452159	KABEL KLEMME	THE CABLE CLAMP
46	1	452210	KNAP	PUSH BUTTON OF SPEED CONTROL SWITCH
47	1	452211	MOTORHUS VENSTRE	LEFT HANDLE
48	1	452212	SKYDEKONTAKT	SLIDE SWITCH
49	1	452213	MICRO SWITCH	MICRO SWITCH
51	1	452214	PRINTPLADE	BRUSHLESS CONTROLLER COMPONENTS
52	1	452215	BATTERIHUS VENSTRE	LEFT BATTERY HOUSE
53	2	452041	HOLDER	PLUG-IN HOLDER
54	2	452042	KONTAKT	SOCKET
55	20	452012	SKRUE	INTERNAL PLUM PAN HEAD TAPPING SCREW
56	1	452216	BATTERIHUS HØJRE	RIGHT BATTERY HOUSE
57		452082	LEDNING	INTERNAL WIRE
58	1	452217	MOTORHUS HØJRE	RIGHT HANDLE
59	1	452218	FJEDER	SWITCH CLAMP SPRING
60	1	452219	UDLØSER	SWITCH PLATE
61	1	452037	FJEDER	SWITCH SELF-LOCKING SPRING
62	1	452220	KONTAKT	ANTI-SELF-LOCKING SWITCH
63	4	452221	SKRUE	CROSS RECESSED PAN HEAD THREE SET SCREWS
64	1	452222	BLOK	SECANT BLOCK
65	1	452223	SKÆRM	PROTECTIVE COVER
66	1	452224	KNIV	CUTTING BLADE
67	1	452225	KNIV BESKYTTER	CUTTING BLADE SLEEVE
68	1	452226	KNIV SKIVE	BLADE CLAMP
69	1	452227	KNIV HOLDER	CLAMP GUARD
70	2	452142	MØTRIK	HEXAGON NUT
71	1	452228	TRIMMERHOVED DÆKSEL KPL.	SET A
72	1	452229	TRIMMERSNØRE + RULLE KPL.	SET B
73	1	452230	TRIMMERHUS KPL.	SET C