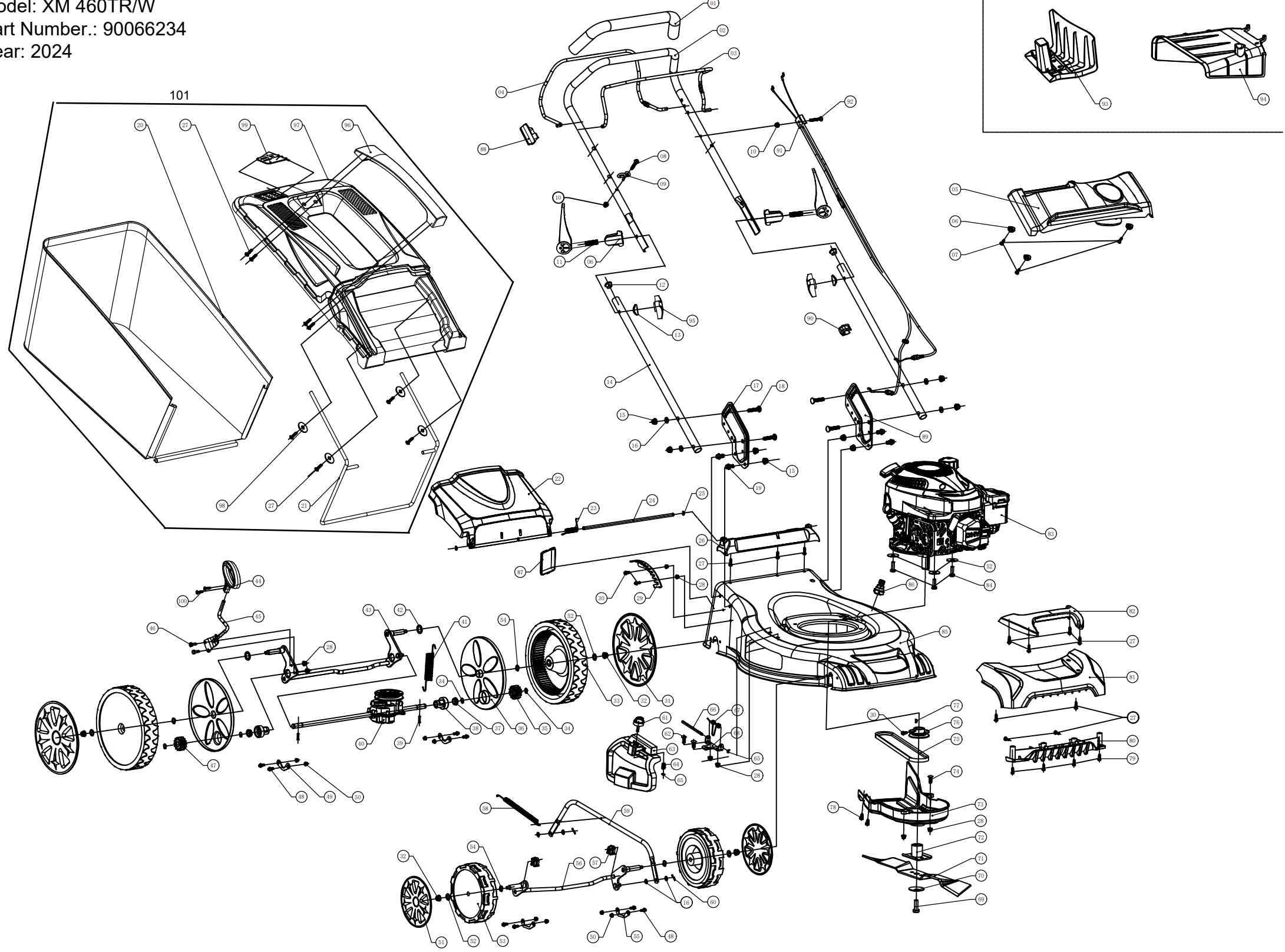


Model: XM 460TR/W
Part Number.: 90066234
Year: 2024



POS	QTY	PARTNUMBER	BESKRIVELSE	DESCRIPTION
101	1	451335	OPSAMPLERKASSE KPL.	GRASS CATCHER ASSEMBLY
100	2	452612	SKRUE	CROSS RECESSED PAN HEAD SCREWS
99	1	451237	INDIKATOR FOR FYLDT OPSAMLER	GRASS CATCHER FULL WARNING
98	1	452613	SKIVE Ø6	WASHER 6*25
97	1	451239	OPSAMLER TOP	GRASS CATCHER COVER M6*45
96	1	452635	HÅNDTAG FOR TOP	GRASS CATCHER COVER LIFT HANDLE
95	2	451241	FINGERSKRUE	TRIANGLE KNOB
94	1	451242	SIDEUDKASTER SKÆRM	SIDE OUTLET
93	1	451243	BIOPLUG	MULCHING PLUG
92	1	451244	BOLT M6X35	HEXAGON FLANGE BOLT M6*35
91	1	452614	DOBBELT KABEL	CABLE ASSEMBLY
90	1	451246	KABELHOLDER	WIRE CLIP
89	1	451247	STYRHOLDER VENSTRE	HANDLE BAR FIXING SEAT(LEFT)
88	1	452615	BLOK	TIE ROD LIMIT BLOCK
87	1	452616	DÆKSEL	MAINTENANCE WINDOW
86	1	451250	VASKESTUDS	CLEANING NOZZLE
85	1	452617	KLIPPESKJOLD	"CHASSIS 18" SELF-PROPELLED_PT BLACK 3C
84	3	451252	BOLT M8X25	BOLT M8*25
83	1	451253	MOTOR RATO RV145/PRIME	ENGINE RV145-S
82	1	452636	DÆKSEL	FRONT TRIM HOOD HANDLE_PT124C
81	1	451255	FORSKÆRM NEDRE DEL	FRONT TRIM HOOD
80	1	451256	BUMPER	CARDING SET
79	4	451309	STJERNESKRUE ST4,8X16	CROSSED TAPPING SCREW ST4.8*16
78	2	451258	SKRUE ST6,3X16	CROSS RECESSED PAN HEAD SELF-TAPPING SCR
77	1	451259	NOT	WOODRUFF KEY 4*6.5*16
76	1	451260	REMSKIVE	DRIVING PULLEY
75	1	452620	KILEREM	BELT 46
74	1	451262	BOLT M6X20	SMALL SEMICIRCULAR HEAD LOW SQUARE NECK
73	1	451263	REMSKÆRM 46 CM	BELT COVER 46
72	1	452621	KNIVHOLDER	BLADE SEAT
71	1	451265	KNIV	BLADE
70	1	451266	SKIVE FOR KNIV Ø10*Ø45*2.5	BLADE WASHER
69	1	451267	KNIVBOLT	IMPERIAL THREAD HEXAGON BOLT 3/8-24UNF*4
68	1	451268	BESLAG	SIDE BRACKET
67	1	451269	FJEDER	SIDE ROW COVER SPRING
66	1	451270	AKSEL	SIDE SHAFT
65	2	451271	SKIVE Ø5	SPLIT WASHER ?5
64	1	451272	FJEDER	PUSH BUTTON SPRING
63	1	451273	SKÆRM FOR BIOKLIP	SIDE OUTLET COVER 46
62	2	451274	BOLT M6X14	SMALL SEMICIRCULAR HEAD LOW SQUARE NECK
61	1	451275	LÅSEHÅNDTAG	LOCK BUTTON

POS	QTY	PARTNUMBER	BESKRIVELSE	DESCRIPTION
60	2	451276	SPLIT	B COTTER 1*1.6*18
59	1	452622	HØJDEJUSTERINGSSTANG	CONNECTION ROD 46
58	1	451278	FJEDER	CONNECTION ROD SPRING
57	2	451279	KRAVE	WHEEL AXLE SLEEVE
56	1	452623	FORHJULSAKSEL	FRONT WHEEL AXLE 46
55	2	451281	PLADE	FIXING PLATE
54	4	451282	SKIVE 13X20X0,5	WAVE TYPE SPRING WASHER 13*20*0.5
53	2	451283	FORHJUL 7"	WHEEL 7"
52	7	451284	SKIVE Ø8	FLAT WASHER ?8*?24*2
51	2	451285	NAVKAPSEL 7"	WHEEL COVER
50	8	451308	MØTRIK M6	HEXAGON FLANGE NUT M6
49	2	451287	PLADE	FIXING PLATE
48	8	451306	BOLT M6X12	HEXAGON FLANGE BOLT M6*12
47	1	452624	GEAR HØJRE	DRIVE GEAR (RIGHT) 46
46	2	451290	BOLT M6X16	HEXAGON SOCKET SCREWS WITH FLAT ROUND HE
45	1	452625	SKIFTEJUSTERINGSSTANG	SHIFT ADJUSTMENT ROD
44	1	452626	HÅNDTAG	SHIFT ADJUSTMENT ROD SHEATH
43	1	452627	AKSEL	REAR WHEEL SHAFT 46
42	2	451294	PAKNING	OIL DRAIN PLUG ALUMINUM GASKET ?16.2*?24
41	1	451295	FJEDER	SELF-WALKING SPRING
40	1	452628	GEARBOX	SELF-PROPELLED ASSEMBLY 46
39	2	451297	STIFT Ø5	STRAIGHT PIN ?5*21.5
38	2	451298	KRAVE	AXLE SHEATHING
37	2	451299	KUGLELEJE Ø12.7	PUNCH BEARING
36	2	451300	STØVDÆKSEL 10"	DUST COVER
35	1	452629	GEAR VENSTRE	DRIVE GEAR (LEFT) 46
34	4	451302	SEEGERRING Ø12	SHAFT RING ?12
33	2	451303	BAGHJUL UDEN LEJE 10"	WHEEL
32	4	451304	MØTRIK M8	HEXAGON NYLON SELF LOCK NUT M8
31	2	451305	NAVKAPSEL 10"	WHEEL COVER
30	3	451306	BOLT M6X12	HEXAGON FLANGE BOLT M6*12
29	1	452630	HØJDEJUSTERINGSBLOK	GEAR ADJUSTMENT POSITIONING BLOCK
28	8	451308	MØTRIK M6	HEXAGON FLANGE NUT M6
27	11	451309	STJERNESKRUE ST4,8X16	CROSSED TAPPING SCREW ST4.8*16
26	1	451310	HOLDER	REAR COVER BASE SUPPORT
25	2	451311	FJEDERSKIVE Ø6	SPLIT WASHER ?6
24	1	451312	AKSEL	REAR COVER SHAFT
23	1	451313	FJEDER	REAR COVER TORSIONAL SPRING
22	1	451314	UDKASTERKLAP BAG	REAR COVER
21	1	451315	RAMME TIL OPSAMLERPOSE	FABRIC BAG FRAME
20	1	451336	OPSAMLERPOSE	FABRIC BAG

POS	QTY	PARTNUMBER	BESKRIVELSE	DESCRIPTION
19	4	451316	BOLT M8X12	HEXAGON FLANGE BOLT M8*12
18	4	451317	BOLT M8X35	BOLT M8*35
17	1	451318	STYRHOLDER HØJRE	HANDLE BAR FIXING SEAT(RIGHT)
16	8	451319	SKIVE Ø8	FLAT WASHER ?8
15	8	452631	MØTRIK M8	FLYWHEEL NUT M8
14	2	451321	STYRRØR NEDRE	MIDDLE HANDLEBAR
13	2	451322	SKIVE M8X45	INSULATION PLATE2 M8*45
12	2	451323	PROP	BUMPER CAP
11	2	451324	HÅNDTAG	FAST LOCK KNOB
10	3	451325	MØTRIK M6	HEXAGON NUT M6
9	1	451326	HOLDER FOR STARTSNOR	STARTER HOOK
8	1	451327	BOLT M6X30	BOLT M6*30
7	3	451309	STJERNESKRUE ST4,8X16	CROSSED TAPPING SCREW ST4.8*16
6	2	451329	HOLDER	FAST LOCK KNOB CUSHION BLOCK
5	1	451330	PANEL/KOPHOLDER	ARMREST DECORATION COVER
4	1	452632	BØJLE FOR FREMTRÆK	DRIVE ROD
3	1	452633	BØJLE FOR STOP AF MOTOR	FLAMEOUT ROD
2	1	452634	STYR	HANDLE
1	1	451334	SOFTGRIB	HANDLEBAR SLEEVE