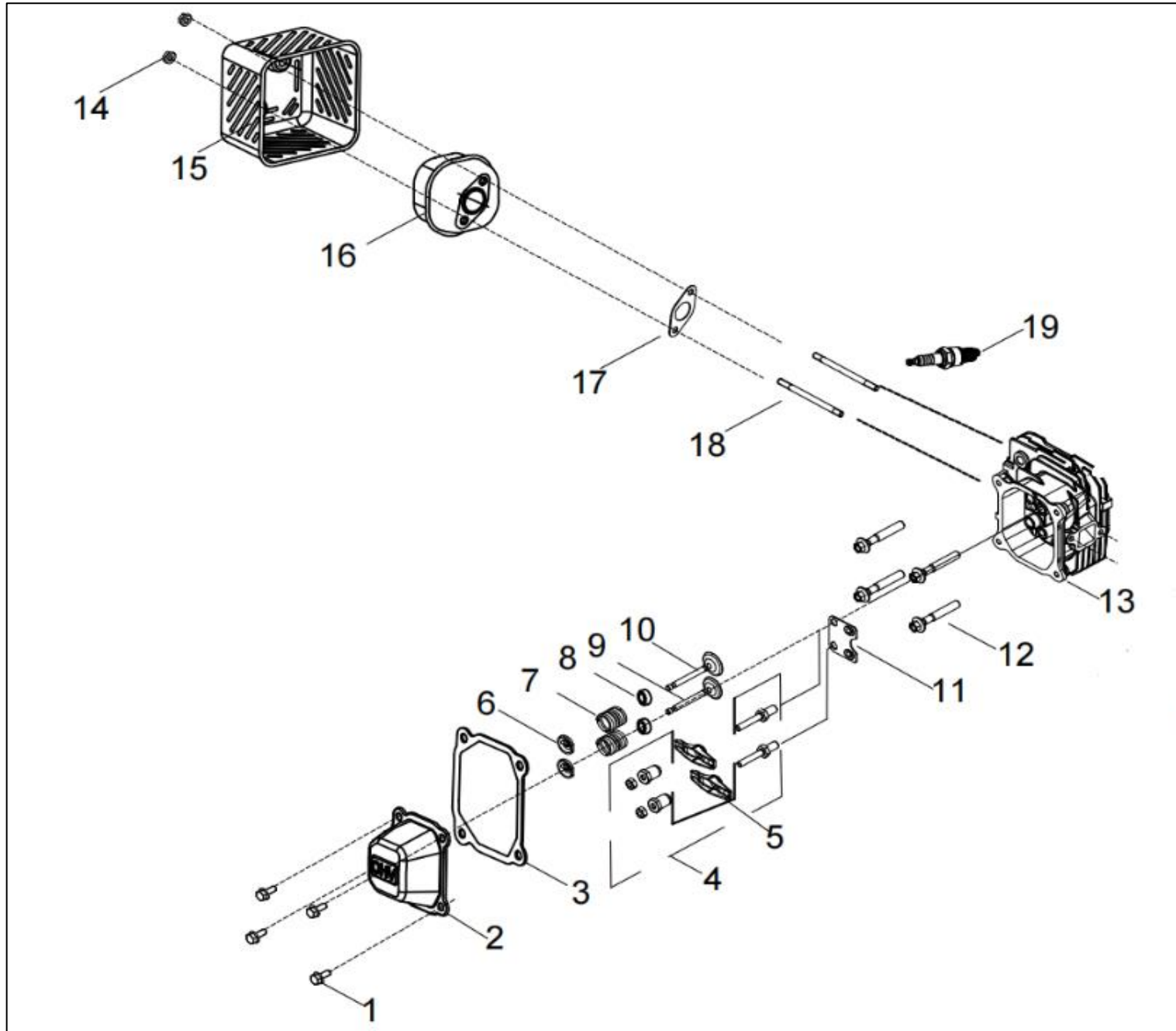
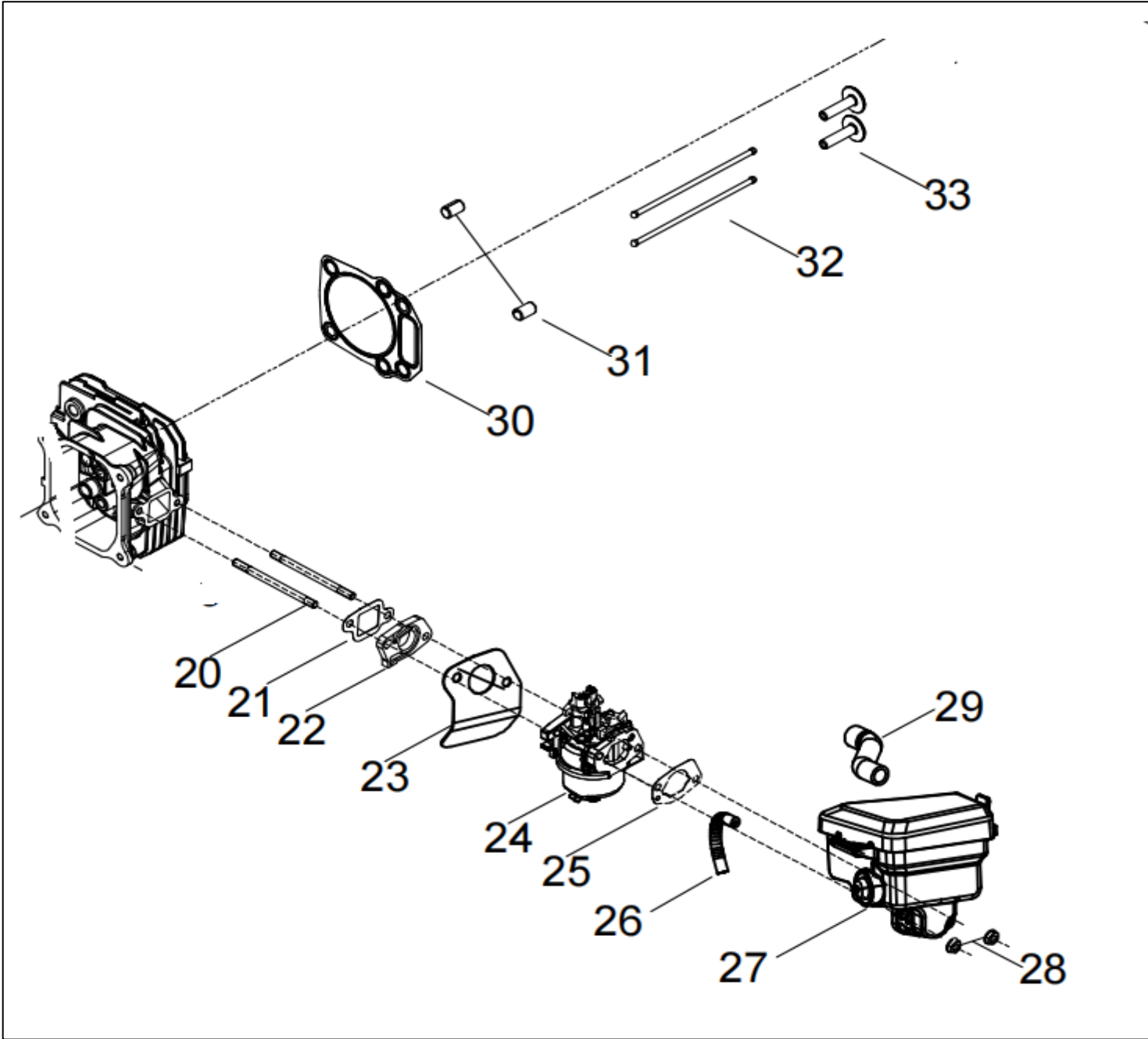


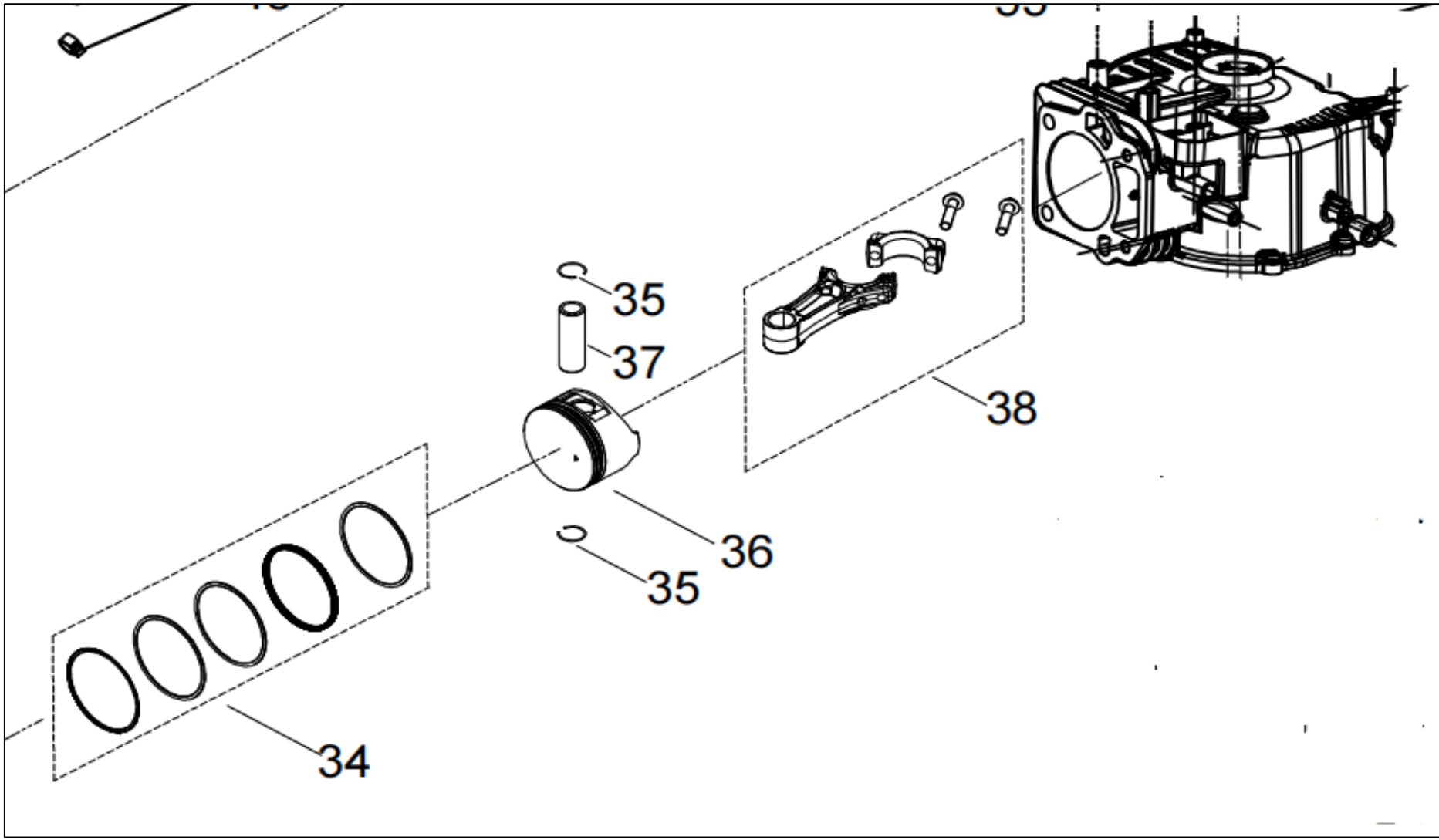
Model: 149cc

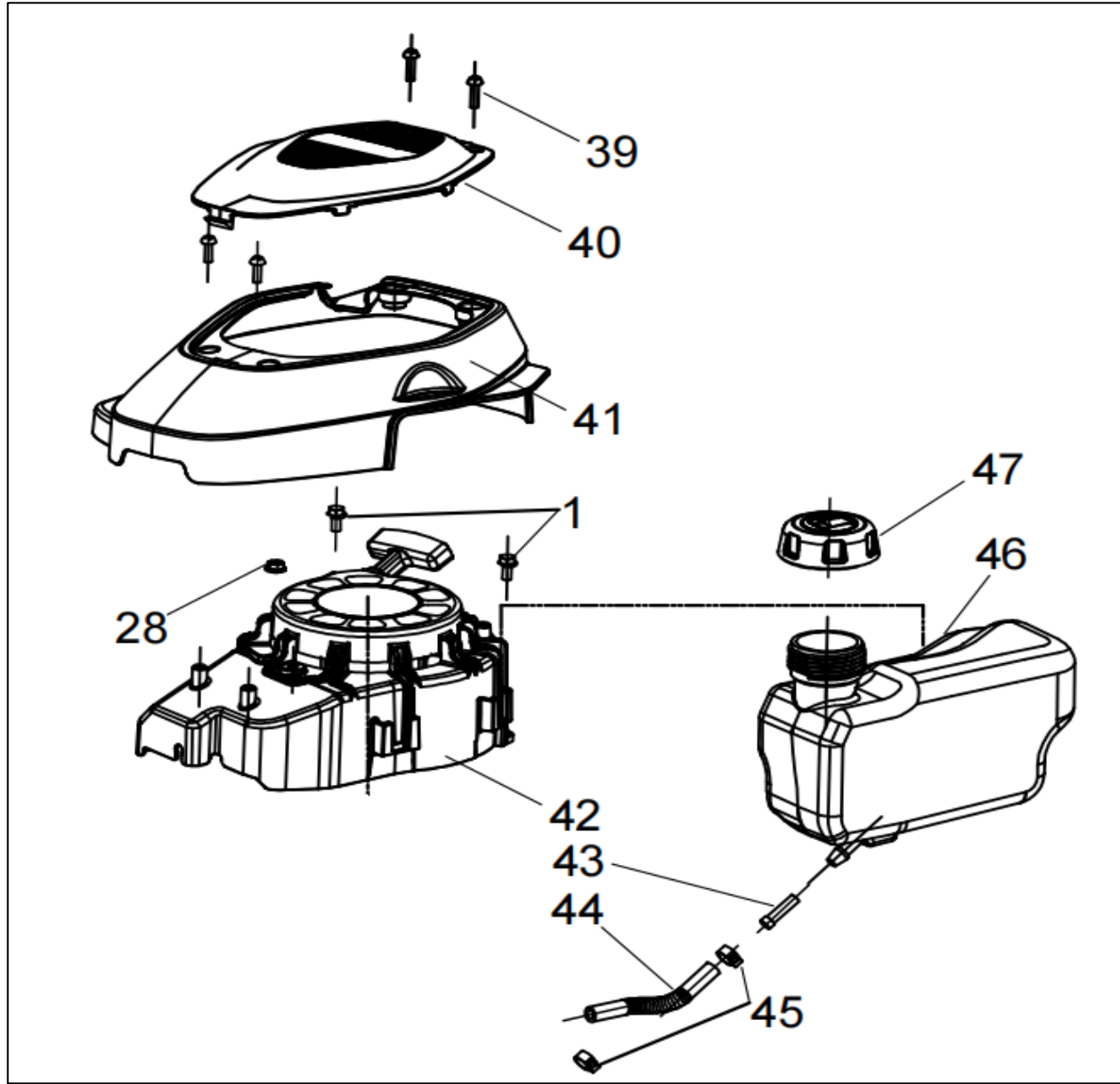
Part Number: TG490

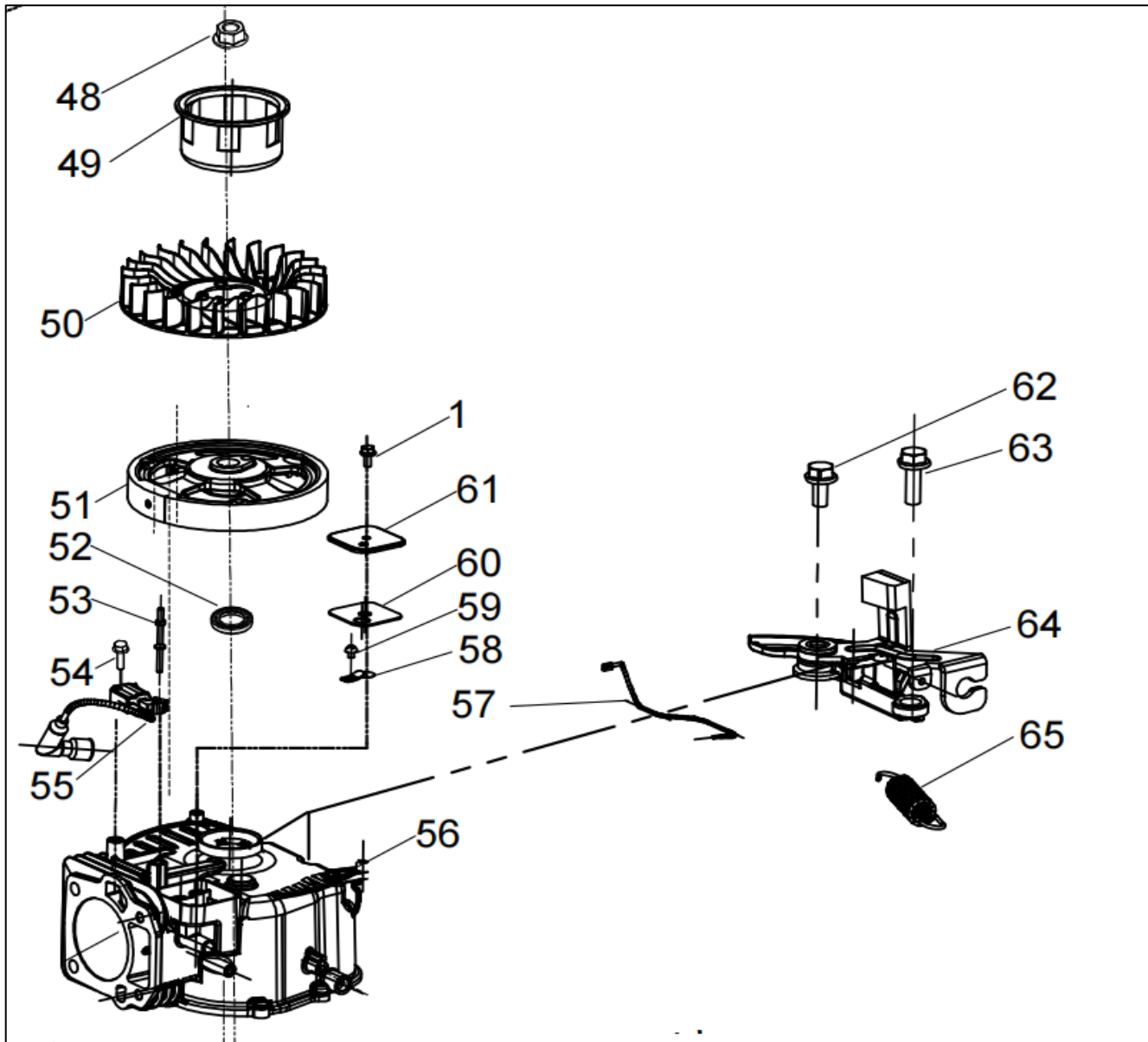
Year: 2025

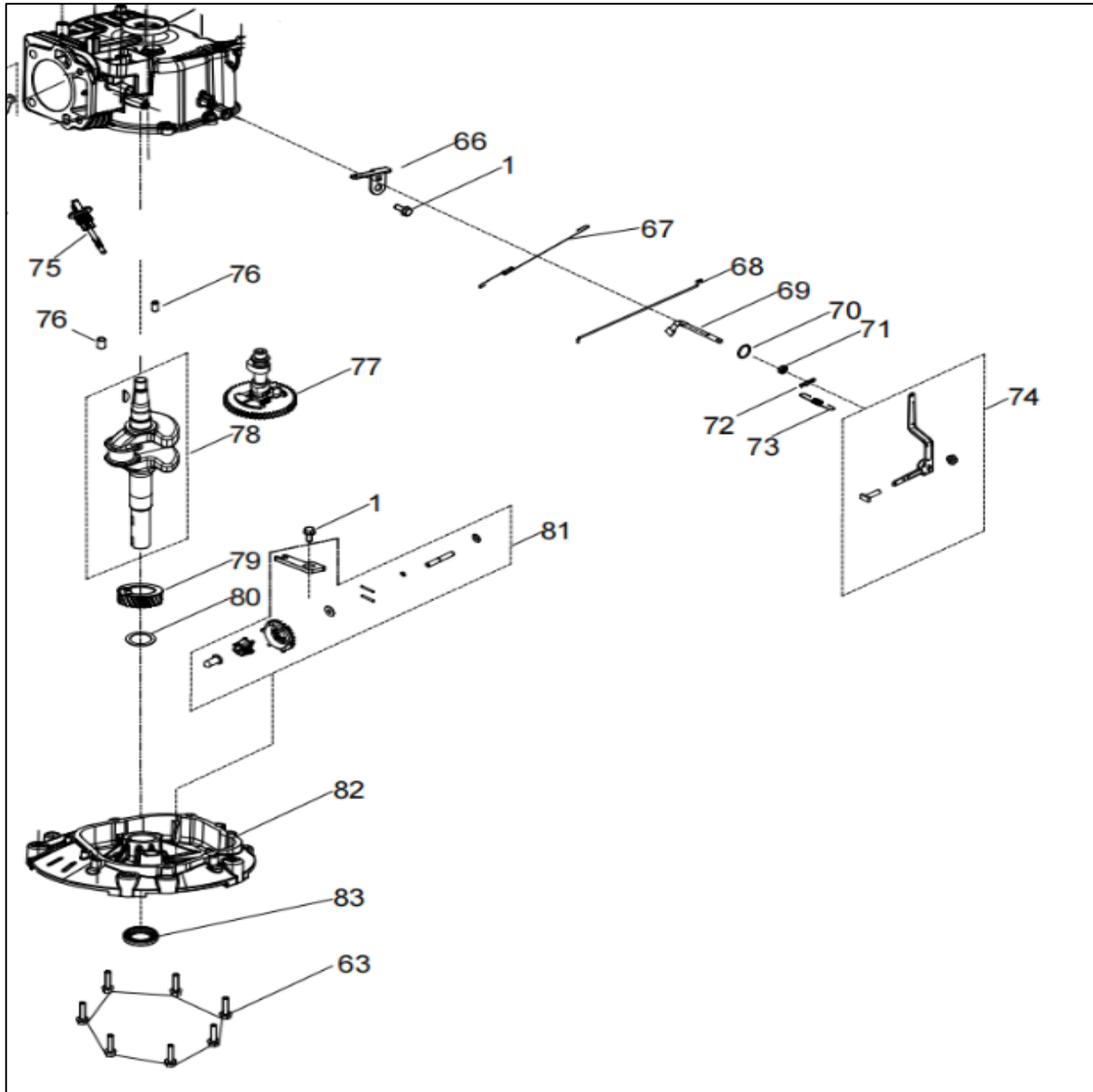












POS	QTY	PARTNUMBER	BESKRIVELSE	DESCRIPTION
1	9	454556	BOLT M6X12	HEXAGON BOLT _GB/T 5789_M6*12
2	1	454557	VENTILDÆKSEL	CYLINDER HEAD COVER SRV150
3	1	454558	VENTILDÆKSEL PAKNING	CYLINDER HEAD COVER GASKET SRV150
4	2	454559	VENTILJUSTERINGSBOLT	AIR VALVE ADJUSTMENT BOLT _SRV150
5	2	454560	VIPPEARM	AIR VALVE ROCKER ARM (GASOLINE) SRV150
6	2	454561	SÆDE	INTAKE VALVE SPRING SEAT SR168F/P
7	2	454562	VENTILFJEDER	AIR VALVE SPRING _SRV150_Ø18.3*Ø2*34.5
8	2	454563	PAKDÅSE	OIL SEAL _GB/T 9877_Ø10.6*Ø4.6*8
9	1	454564	VENTIL FOR INDSUGNING	INTAKE VALVE_SRV150_4CR10SI2MO _Ø27*Ø5.5*
10	1	454565	VENTIL FOR UDSØDNING	EXHAUST VALVE_SRV150_4CR10SI2MO _Ø25*Ø5.5
11	1	454566	STYREPLADE	LIMIT PLATE_SRV150
12	4	454567	BOLT M8X45	BOLT _GB/T5787-1986_M8*45
13	1	454568	CYLINDER	CYLINDER HEAD _SRV150_13.5ML_
14	2	454569	MØTRIK M6	HEXAGON FLANGE LOCKING NUT _GB/T6187.1-2
15	1	454570	VARMESKJOLD	MUFFLER COVER SRV150_CE_ST14
16	1	454571	UDSØDNING	MUFFLER _SRV150
17	1	454572	PAKNING	EXHAUST VALVE GASKET _SRV150
18	2	454573	PINBOLT M6X77	STUD BOLT _SRV150_M6*77_
19	1	454574	TÆNDRØR	SPARK PLUG _SR168F/P_F7RTC
20	2	454575	PINBOLT M6X95	STUD BOLT /M6*95
21	1	454576	PAKNING	INTAKE GASKET _SRV150
22	1	454577	INSOLATOR	HEAT INSULATION PLATE_SRV150_
23	1	454578	KARBURATORPAKNING	CARBURETOR GASKET _SRV150
24	1	454579	KARBURATOR	CARBURETOR _SRV150
25	1	454580	PAKNING	AIR CLEANER GASKET _SRV150
26	1	454581	PRIMER SLANGE	PRIMER INTAKE PIPE _SRV150_NBR+CSM,Ø8*Ø3
27	1	454582	LUFTFILTER KOMPLET	AIR CLEANER _SRV150
28	3	451308	MØTRIK M6	HEXAGON FLANGE NUT M6
29	1	454583	INDSUGNING	EXHAUST AIR PIPE_SRV150_NBR +CSM_Ø13*Ø9*5
30	1	454584	TOPPAKNING	CYLINDER HEAD GASKET _SRV150
31	2	454585	STIFT Ø10X14	LOCATING PIN
32	2	454586	STØDSTANG	PUSH ROD _SRV150_45#_Ø4*127.2_

POS	QTY	PARTNUMBER	BESKRIVELSE	DESCRIPTION
33	2	454587	VENTILLØFTER Ø22XØ6X30,5	TAPPET _SRV150_Ø22*Ø6*30.5
34	2	454588	STEMPELRING SÆT	PISTON ASSY_SRV150
35	2	454589	LÅSERING Ø13,6XØ1	PISTON PIN RETAINER _SRV150_?13.6*Ø1
36	1	454590	STEMPEL	PISTON
37	1	454591	KRYDSPIND	PINSTON PIN
38	1	454592	PLEJLSTANG KOMPLET	CONNECTING ROD ASSY
39	4	454593	SKRUE ST4.2X16	CROSS RECESSED TAPPING SCREW
40	1	454594	MOTORDÆKSEL	BIG COVER DECORATION FOR STARTER
41	1	454595	STARTERDÆKSEL	BIG COVER FOR STARTER_SRV150
42	1	454596	REKYLSTARTER	STARTER ASSEMBLY_SRV150
43	1	454597	FILTER	FUEL TANK FILTER_SRV150
44	1	454598	BRÆNDSTOFSLANGE	FUEL PIPE_SRV150_Ø10*Ø6*95
45	2	454599	KLEMME Ø10	SPRING CLAMP_Ø10
46	2	454600	BRÆNDSTOFTANK	FUEL TANK_SRV150
47	1	454601	TANKDÆKSEL	FUEL TANK CAP_SRV150
48	1	454602	MØTRIK M12X1,25	HEXAGON FLANGE NUT_GB/T 6177.2_M12*1.25
49	1	454603	STARTERTRISSE	STARTING CUP_SRV150
50	1	454604	BLÆSEHJUL	IMPELLAR_SRV150
51	1	454605	SVINGHJUL	FLY WHEEL_SRV150
52	1	454606	PAKDÅSE Ø41,25XØ22X6	OIL SEAL_Ø41.25*Ø22*6_
53	1	454607	PINBOLT M6X83,5	STUD BOLT_SRV150_M6*83.5
54	1	454608	BOLT M6X30	HEXAGON FLANGE BOLT _GB/T 5789_M6*30
55	1	454609	TÆNDSPOLE	IGNITOR_SRV150
56	1	454610	KRUMTAPHUS	CRANKCASE_SRV150_
57	1	454611	TÆNDINGS KABEL	SWITCH WIRE_SRV150_L=19
58	1	454612	VENTIL	BREATHING VALVE ASSY_SRV150_SK4+ST12
59	1	454613	BOLT M4X6	CROSS RECESSED SCREW- GB/T 818-2000-M4*6
60	1	454614	PAKNING	FUEL RETURN CHAMBER COVER GASKET_SRV150
61	1	454615	BESLAG	FUEL RETURN CHAMBER COVER_SRV150_
62	1	454616	BOLT M6X16	HEXAGON FLANGE BOLT _GB/T 5789_M6*16
63	8	454617	BOLT M6X25	HEXAGON FLANGE BOLT _GB/T 5789_M6*25
64	1	454618	BREMSE KOMPLET	BRAKE ASSY_SRV150
65	1	454619	FJEDER	BRAKE SPRING_SRV150_Ø1.5*Ø9.5*1 5.75*48
66	1	454620	REGULATOR	THROTTLE ASSY_SRV150
67	1	454621	FJEDER	GOVERNING SPRING A_SRV150_Ø0.8*Ø6.8*15*4
68	1	454622	REGULATOR STANG	THROTTLE LEVER_SRV150

POS	QTY	PARTNUMBER	BESKRIVELSE	DESCRIPTION
69	1	454623	REGULATOR ARM	GOVERNING ARM_SRV150_? 5
70	1	454624	PAKNING	OIL SEAL_Ø10*Ø5*4
71	1	454625	SKIVE	GOVERNOR ARM GASKET_SRV150_65MN_Ø12* Ø5*0
72	1	454626	SPLIT 1XØ4,9	COTTER PIN_1*?4.9
73	1	454627	REGULATOR FJEDER	GOVERNING SPRING B_SRV150_Ø0.4*Ø5.8*33.5
74	1	454628	REGULATOR KOMPLET	GOVERNOR HOLDER_SRV150
75	1	454629	OLIEPIND	OIL RULER_SRV150_M18*2.5
76	2	454630	NOT 8X12	LOCATING PIN/8*12
77	1	454631	KNASTAKSEL	CAMSHAFT_SRV150_
78	1	454632	AKSEL 22,5MM LANG	CRANKSHAFT _SRV150_QT700-2_L=22.5
79	1	454633	BEGRÆNSERHJUL	CRANKSHAFT TIMING GEAR _SRV150_
80	1	454634	SKIVE	ADJUSTING WASHER ?34*? 26*1
81	1	454635	GEAR KOMPLET	OIL SEAL_GB/T 9877
82	1	454636	BUNDDÆKSEL	GOVERNING GEAR ASSY
83	1	454637	PAKDÅSE	CRANKCASE COVER_SRV150