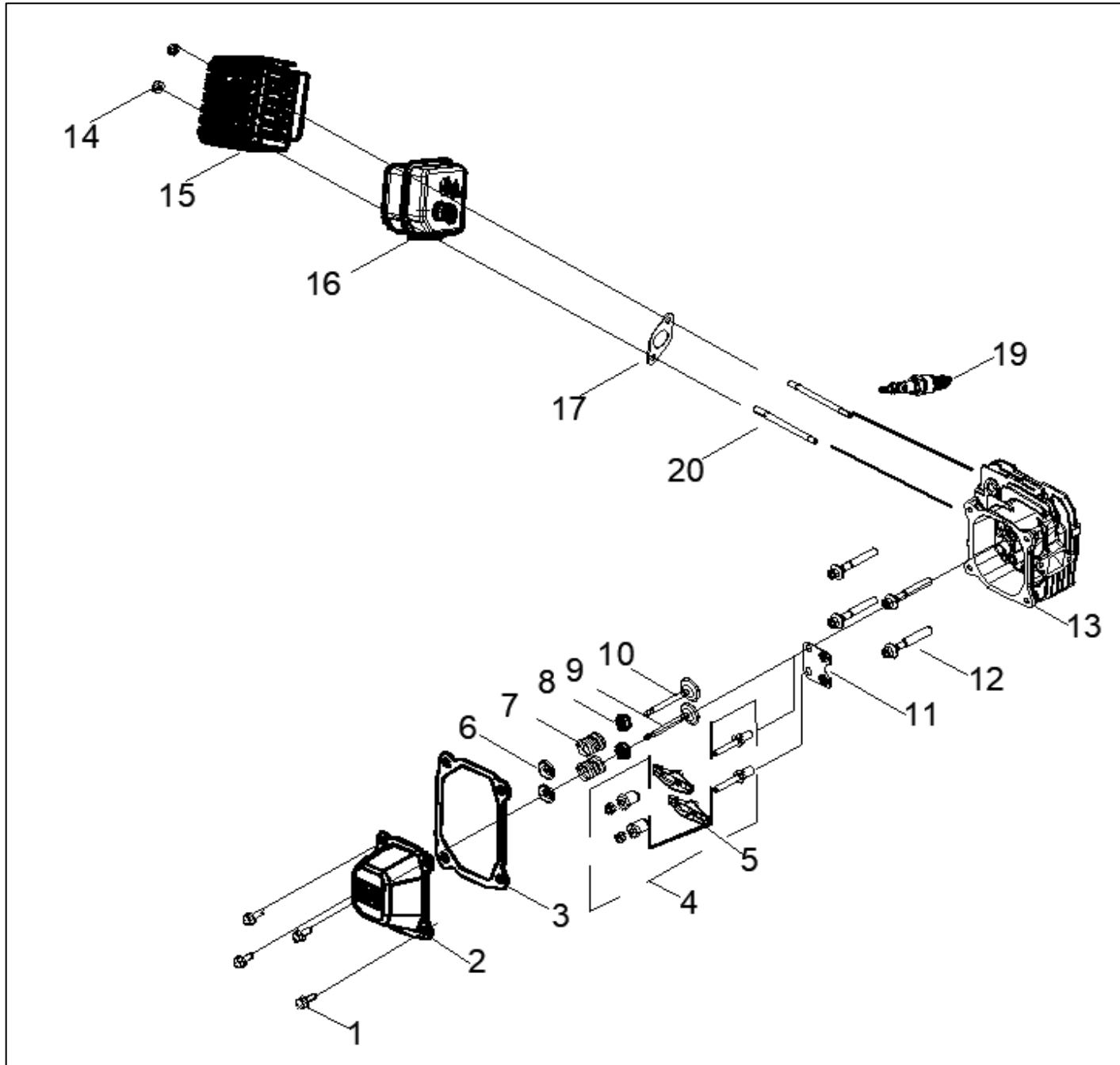
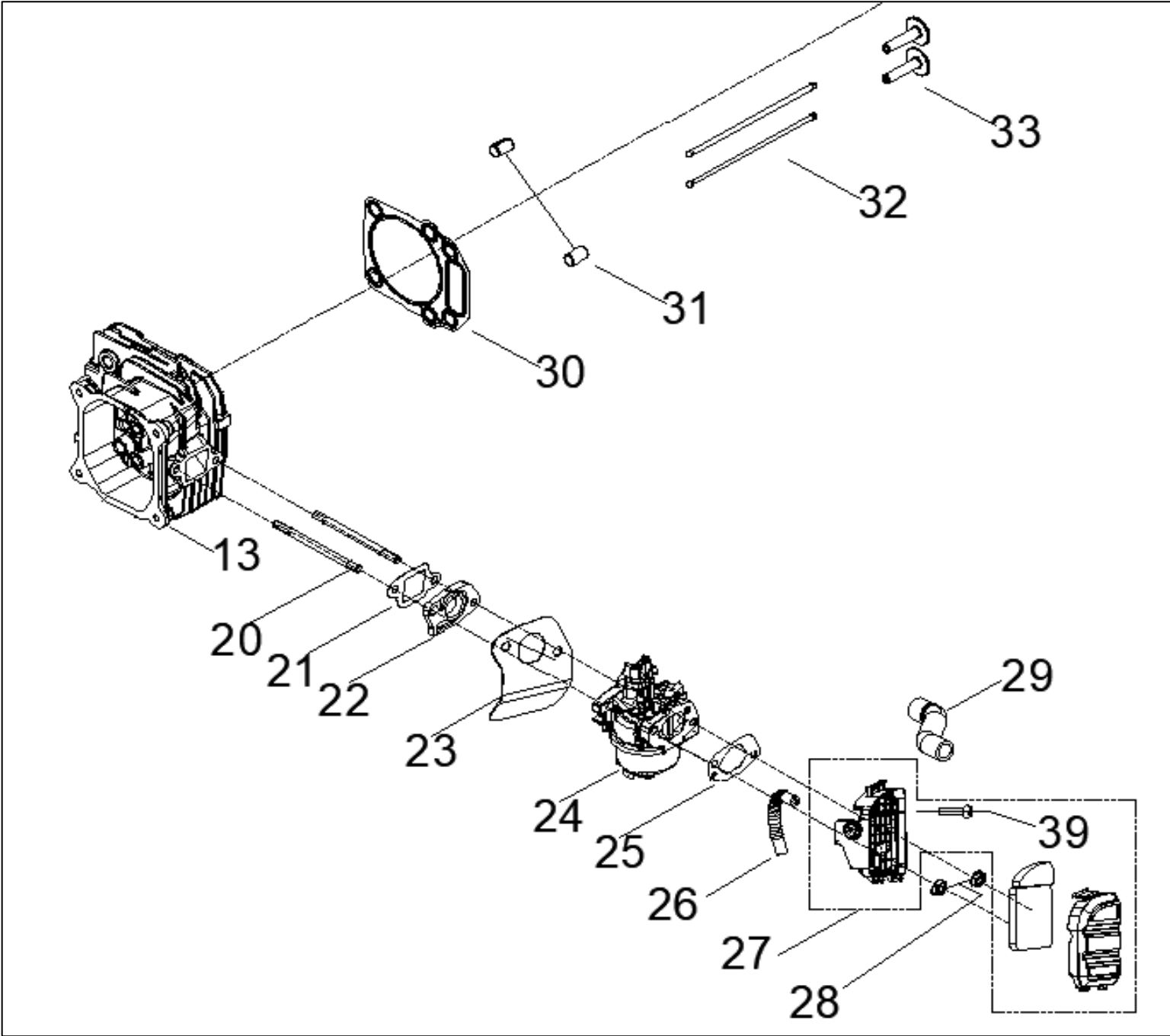


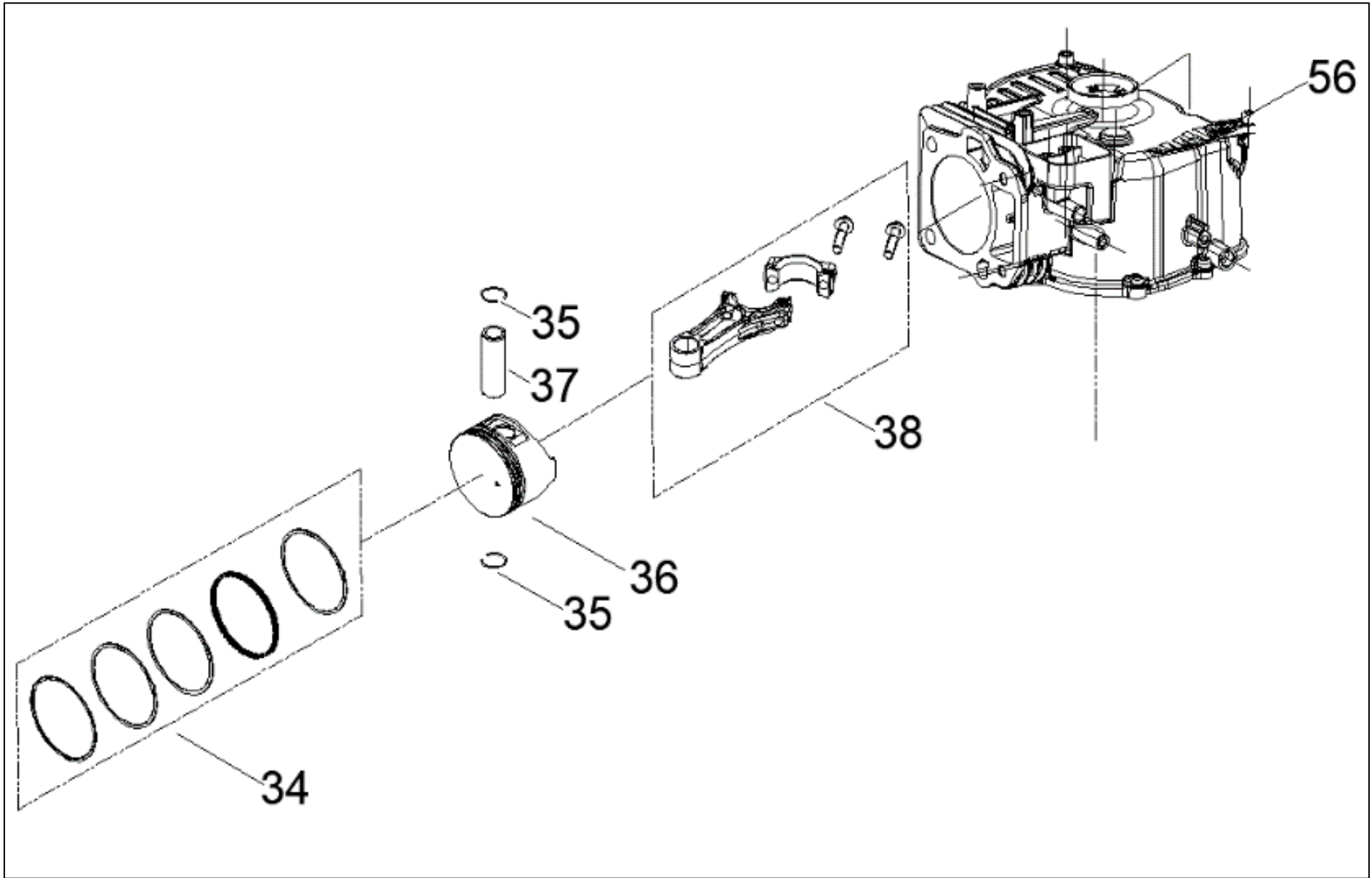
Model: 224cc

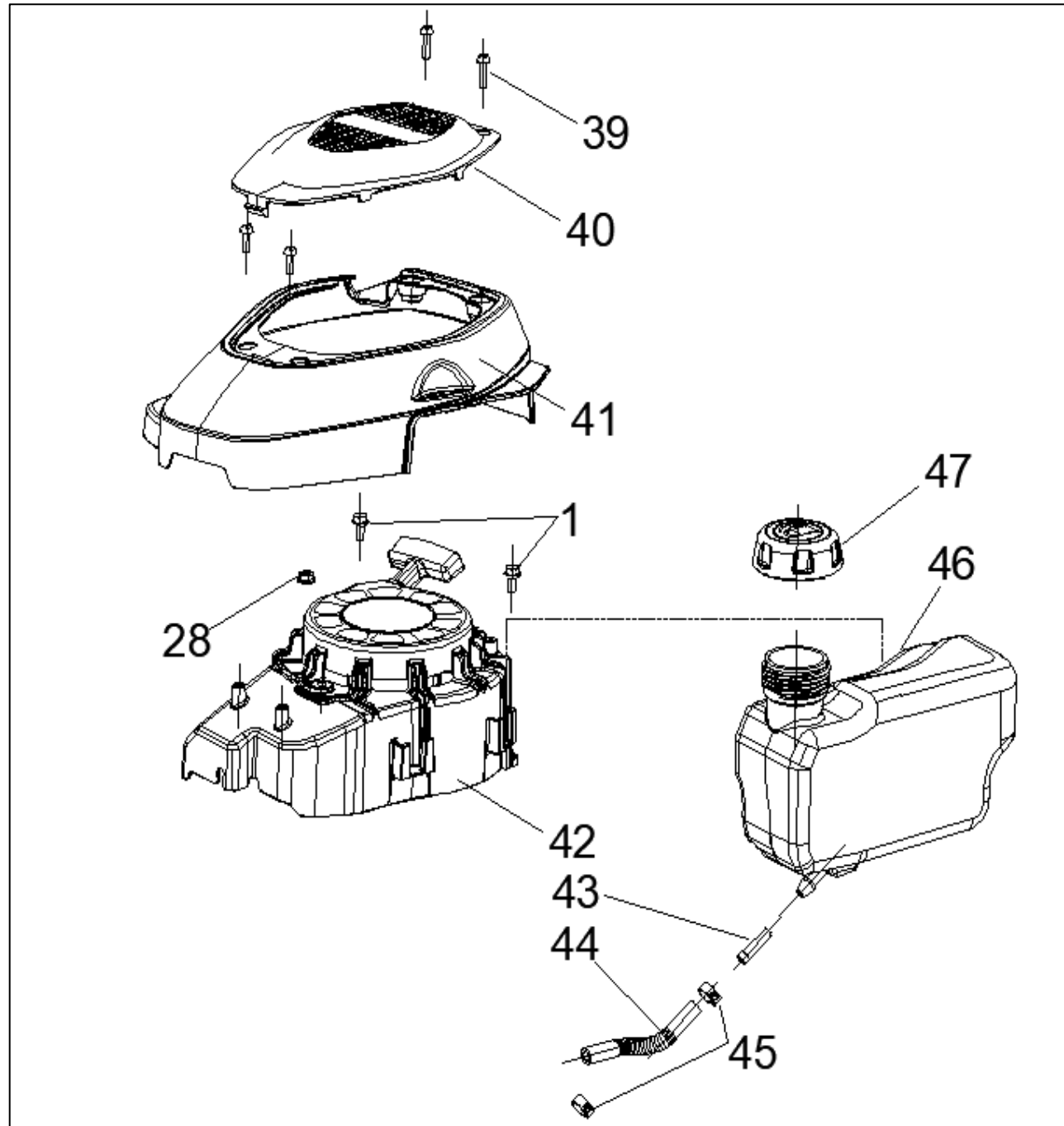
Part Number: TG790

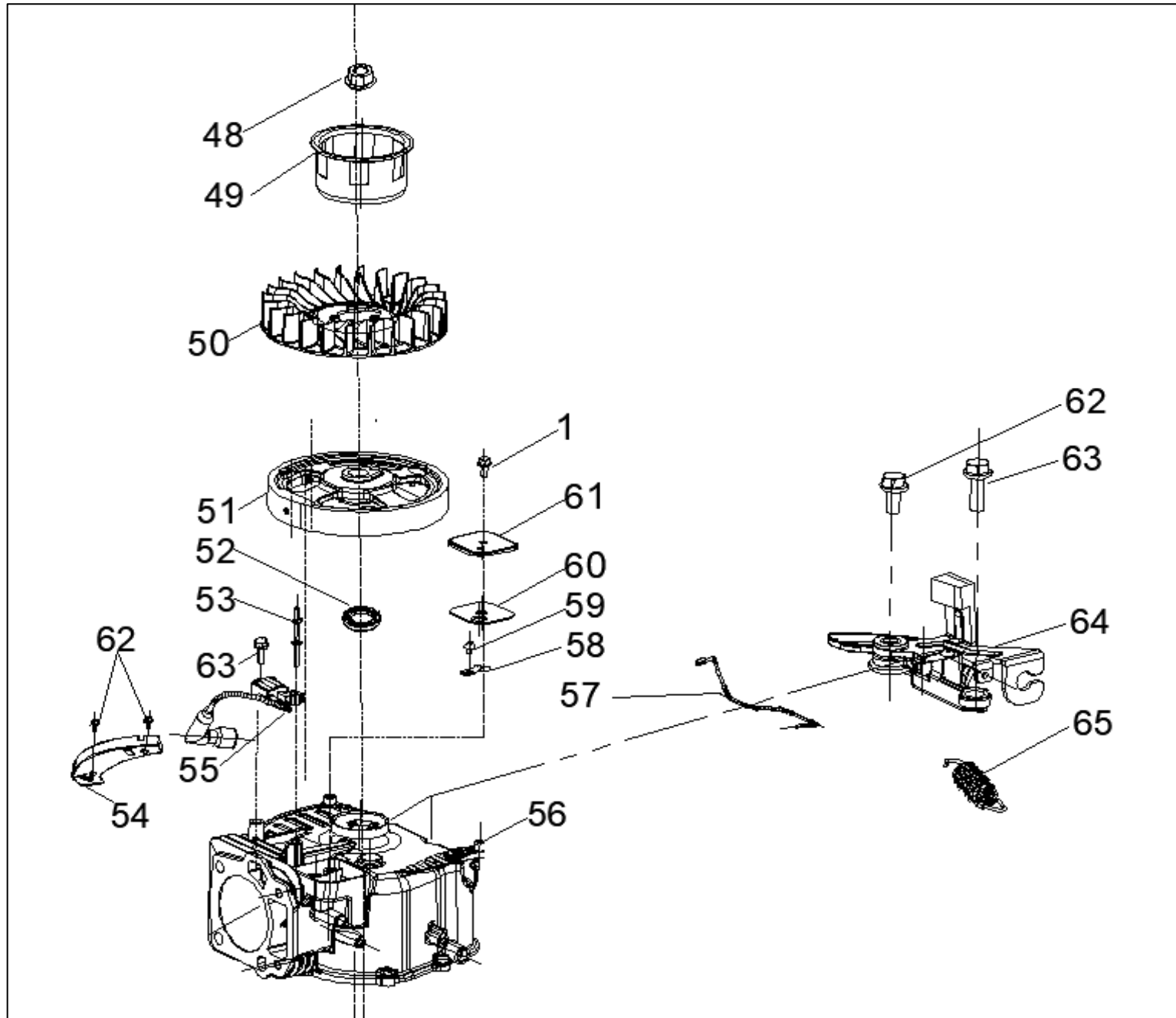
Year: 2025

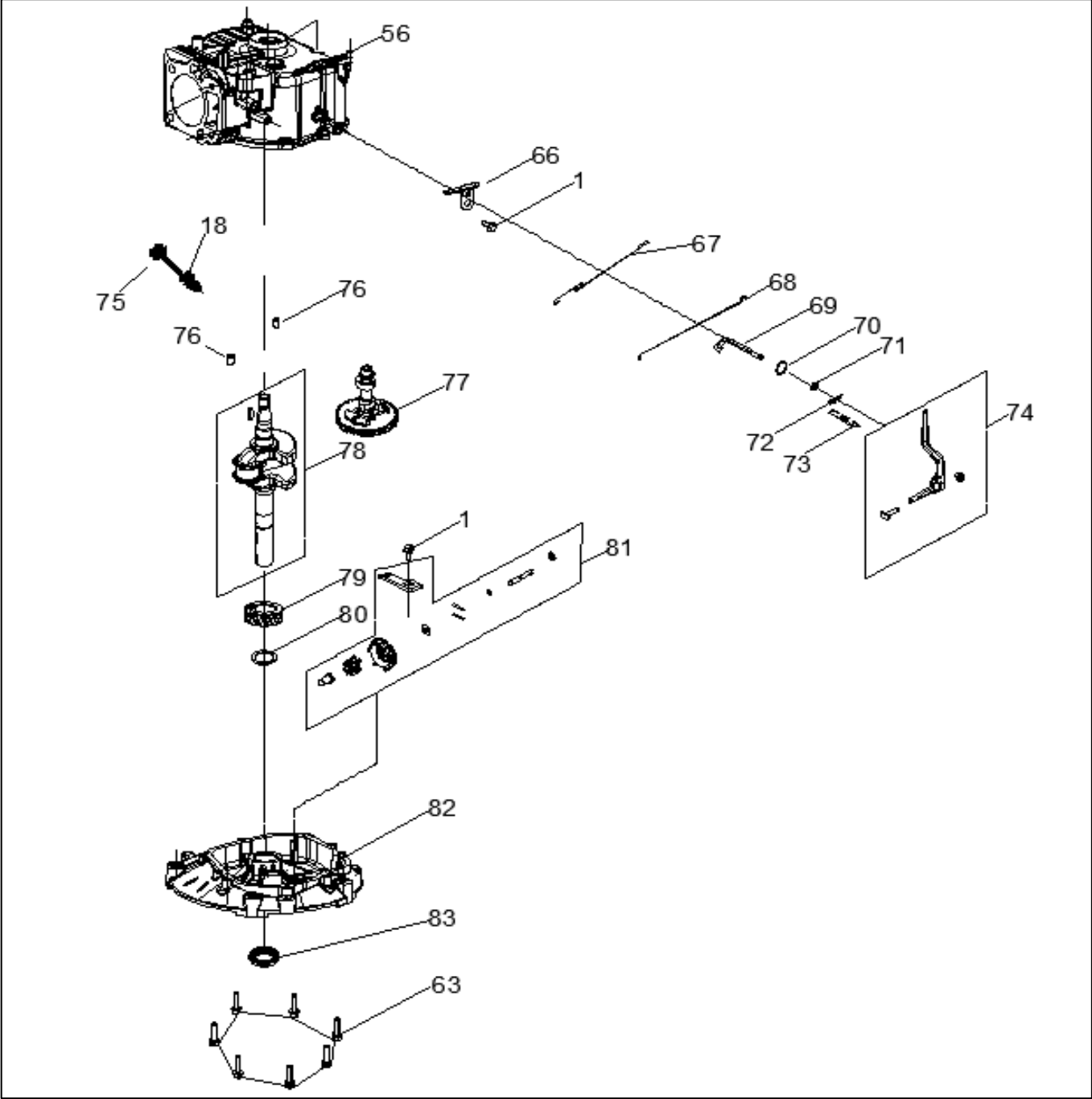












POS	QTY	PARTNUMBER	BESKRIVELSE	DESCRIPTION
1	9	454556	BOLT M6X12	HEXAGON BOLT _GB/T 5789_M6*12
2	1	454557	VENTILDÆKSEL	CYLINDER HEAD COVER SRV150
3	1	454558	VENTILDÆKSEL PAKNING	CYLINDER HEAD COVER GASKET SRV150
4	2	454559	VENTILJUSTERINGSBOLT	AIR VALVE ADJUSTMENT BOLT _SRV150
5	2	454560	VIPPEARM	AIR VALVE ROCKER ARM (GASOLINE) SRV150
6	2	454561	SÆDE	INTAKE VALVE SPRING SEAT SR168F/P
7	2	454562	VENTILFJEDER	AIR VALVE SPRING _SRV150_Ø18.3*Ø2*34.5
8	2	454563	PAKDÅSE	OIL SEAL _GB/T 9877_Ø10.6*Ø4.6*8
9	1	454564	VENTIL FOR INDSUGNING	INTAKE VALVE_SRV150_4CR10SI2MO _Ø27*Ø5.5*
10	1	454565	VENTIL FOR UDSØDNING	EXHAUST VALVE_SRV150_4CR10SI2MO _Ø25*Ø5.5
11	1	454566	STYREPLADE	LIMIT PLATE_SRV150
12	4	454567	BOLT M8X45	BOLT _GB/T5787-1986_M8*45
13	1	454638	TOPSTYKKE	CYLINDER HEAD SRV180 16.2ML
14	2	454569	MØTRIK M6	HEXAGON FLANGE LOCKING NUT _GB/T6187.1-2
15	1	454648	VARMESKJOLD	MUFFLER COVER SRV200_CE_ST14
16	1	454649	UDSØDNING	MUFFLER _SRV200
17	1	454650	PAKNING	EXHAUST VALVE GASKET _SRV200
18	1	454651	OLIEPINDS MÅLER	
19	1	454574	TÆNDRØR	SPARK PLUG _SR168F/P_F7RTC
20	4	454652	PINBOLT M6X90	STUD BOLT /M6*90
21	1	454576	PAKNING	INTAKE GASKET _SRV150
22	1	454577	INSOLATOR	HEAT INSULATION PLATE_SRV150_
23	1	454578	KARBURATORPAKNING	CARBURETOR GASKET _SRV150
24	1	454653	KARBURATOR	CARBURETOR _SRV225
25	1	454580	PAKNING	AIR CLEANER GASKET _SRV150
26	1	454581	PRIMER SLANGE	PRIMER INTAKE PIPE _SRV150_NBR+CSM,Ø8*Ø3
27	1	454654	LUFTFILTER KOMPLET	AIR CLEANER _SRV200
28	3	451308	MØTRIK M6	HEXAGON FLANGE NUT M6
29	1	454655	ÅNDERØR	EXHAUST AIR PIPE_SRV200_NBR +CSM_Ø11*Ø8*9
30	1	454656	TOPPAKNING	CYLINDER HEAD GASKET _SRV150_
31	2	454585	STIFT Ø10X14	LOCATING PIN
32	2	454657	STØDSTANG	PUSH ROD _SRV225

POS	QTY	PARTNUMBER	BESKRIVELSE	DESCRIPTION
33	2	454658	STØDSTANGSFOD	TAPPET _SRV200_Ø23.6*Ø8*32.4
34	1	454642	STEMPELRINGESÆT	PISTON ASSY_?70 1×1×2.5
35	2	454659	LÅSERING Ø13XØ1	PISTON PIN RETAINER_SRV200_?13*Ø1
36	1	454660	STEMPEL	PISTON SRV200
37	1	454661	KRYDSPIND	PINSTON PIN _SRV200_Ø13*47.2
38	1	454662	PLEJLSTANG KOMPLET	CONNECTING ROD ASSY _SRV200_Ø27*Ø13*79
39	5	454593	SKRUE ST4.2X16	CROSS RECESSED TAPPING SCREW
40		454663	MOTORDÆKSEL TG790	BIG COVER DECORATION FOR STARTER _SRV200
41	1	454664	STARTERDÆKSEL	BIG COVER FOR STARTER SRV200_PP+TD20
42	1	454665	REKYLSTARTER	STARTER ASSEMBLY_SRV200
43	1	454597	FILTER	FUEL TANK FILTER_SRV150
44	1	454666	BRÆNDSTOFSLANGE	FUEL PIPE_SRV200
45	2	454599	KLEMME Ø10	SPRING CLAMP_Ø10
46	1	454667	BRÆNDSTOFTANK	FUEL TANK_SRV200
47	1	454601	TANKDÆKSEL	FUEL TANK CAP_SRV150
48	1	454668	MØTRIK M14X1,5	HEXAGON FLANGE NUT__GB/T 6177.2_M14*1.5
49	1	454669	STARTERTRISSE	STARTING CUP_SRV200_H=37
50	1	454670	BLÆSEHJUL	IMPELLAR_SRV150
51	1	454671	SVINGHJUL	FLY WHEEL_SRV200_HT250_
52	1	454672	PAKDÅSE	OIL SEAL _SRV200 Ø41.25*Ø25*6
53	1	454673	PINBOLT	STUD BOLT _SRV200_M6*96_
54	1	454674	BESLAG	
55	1	454675	TÆNDSPOLE	IGNITOR_SRV200
56	1	454676	KRUMTAPHUS	CRANKCASE _SRV225
57	1	454677	TÆNDINGS KABEL	SWITCH WIRE__SRV200
58	1	454678	VENTIL	BREATHING VALVE ASSY__SRV200_SK4+ST12
59	1	454679	BOLT M6X8	HEXAGON FLANGE BOLT - GB/T 16674.1-M6*8
60	1	454680	PAKNING	FUEL RETURN CHAMBER COVER GASKET__SRV200
61	1	454681	BESLAG	FUEL RETURN CHAMBER COVER_SRV200
62	3	454616	BOLT M6X16	HEXAGON FLANGE BOLT _GB/T 5789_M6*16
63	9	454608	BOLT M6X30	HEXAGON FLANGE BOLT _GB/T 5789_M6*30
64	1	454682	BREMSE KOMPLET	BRAKE ASSY_SRV200
65	1	454683	FJEDER	BRAKE SPRING__SRV150_Ø1.5*Ø9.5* 15.75*48
66	1	454684	GASHÅNDTAG	THROTTLE ASSY_SRV200
67	1	454685	FJEDER	GOVERNING SPRING A_SRV200_1CR18NI9TI_?0



POS	QTY	PARTNUMBER	BESKRIVELSE	DESCRIPTION
68	1	454686	REGULATOR STANG	THROTTLE LEVER_SRV200_
69	1	454687	REGULATOR ARM	GOVERNING ARM_SRV200_?6
70	1	454625	PAKNING	GOVERNOR ARM GASKET_SRV150_65MN_Ø12* Ø5*0
71	1	454688	SKIVE Ø11XØ5X4	WASHER__SRV200_GB/T 9877_
72	1	454689	SPLIT 1XØ4,9	COTTER PIN_1*?4.9
73	1	454690	FJEDER	GOVERNING SPRING B__SRV200_Ø0.4*Ø5.8*33.
74	1	454691	REGULATOR KOMPLET	GOVERNOR HOLDER_SRV200
75	1	454692	OLIEPIND	OIL RULER__SRV200
76	2	454630	NOT 8X12	LOCATING PIN/8*12
77	1	454693	KNASTAKSEL	CAMSHAFT_SRV200_
78	1	454694	KRUMTAPAKSEL 23,5MM LANG 23,5MM LANG	CRANKSHAFT _SRV225_QT700-2_L=23.5
79	1	454695	BEGRÆNSERHJUL	CRANKSHAFT TIMING GEAR _SRV200_Z=24,M=1.
80	1	454634	SKIVE	ADJUSTING WASHER ?34*? 26*1
81	1	454636	GEAR KOMPLET	GOVERNING GEAR ASSY
82	1	454696	BUNDDÆKSEL	CRANKCASE COVER_SRV150
83	1	454635	PAKDÅSE Ø40XØ25,7	OIL SEAL_GB/T 9877