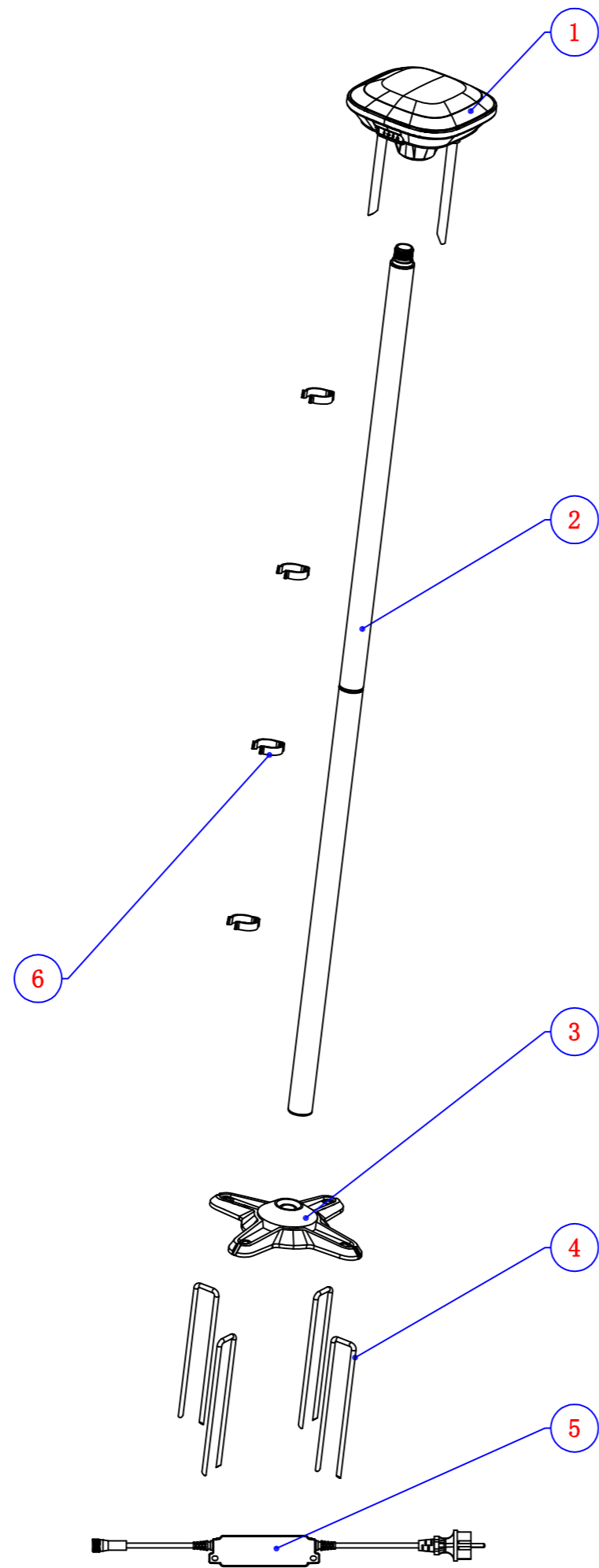


POS	QTY	PARTNUMBER	BESKRIVELSE	DESCRIPTION
1	1	454843	HÅNDTAG	HANDLE
2	39	448939	SKRUE ST3.9X18	SCREW (SUS304)
3	1	454844	COVER	DECORATIVE COVER ASSEMBLY
4	1	454845	HØJDEJUSTERING	KNOB COVER
5	1	454846	PLADE	HEIGHT SIGN PLATE (EU VERSION)
6	2	454847	BESLAG	KNOB SHRAPNEL
7	1	454848	HUS HØJDEJUSTERING	EUROPEAN KNOB SEAT
8	1	454849	FLIP COVER	FLIP COVER ASSEMBLY
9	2	454850	PLADE	FLIP COVER PRESSURE PLATE
10	2	454851	DÆMPER	DAMPER
11	1	448993	REGNSENSOR	RAIN SENSOR
12	2	448994	SKRUE M3X8	SCREW
13	1	454852	TOPDÆKSEL KPL.	X5 TOP COVER ASSEMBLY
14	1	454393	PRINTPLADE DISPLAY	DISPLAY BOARD PCBA
15	4	454853	STRIPS	CABLE TIE 3.5X150\ BLACK
16	1	454854	ANTENNE	MOBILE BASE STATION INTEGRATED ANTENNA
17	3	448997	SENSORPLADE	SENSOR PRESSING PLATE
18	1	454855	PRINTPLADE	MAIN BOARD
19	2	454347	LØFTESENSOR	LIFT SENSOR PLATE
20	1	454856	TÆTNINGSRING	MAIN CHAMBER SEAL RING 2
21	1	454857	FORSEGLING	MAIN CAVITY SEAL RING
22	1	454858	PAKNING	SCREW GASKET
23	1	454859	PRINTPLADE	CORE ALGORITHM BOARD
24	2	454860	BAGHJUL KPL.	UNIVERSAL WHEEL ASSEMBLY
25	1	454861	BUND CHASSIS	BOTTOM CHASSIS
26	1	454386	HJUL VENSTRE X3/X5	LEFT WHEEL
27	1	454863	BAG KOFANGER	REAR BUMPER
28	1	454367	HJULKAPSEL VENSTRE X5/X3	LEFT WHEEL COVER
29	1	454864	KNIVMOTOR KPL.	CUTTING ASSEMBLY
30	1	454349	TÆTNINGSRING	GPS SEALING RING
31	1	454350	COVER GPS	GPS MODULE COVER
32	1	454865	KNIVHOLDER SKJOLD	CUTTING DISC SHIELD
33	1	453656	KNIVHOLDER	CUTTING DISC
34	3	448983	SKRUE M4X12	SCREW
35	3	448982	KNIVSKRUE M4X10	SCREW FOR BLADE
36	3	454361	KNIVE	BLADE
37	1	454866	COVER BATTERI	BATTERY PACK COVER
38	1	454867	TÆTNINGSRING	BATTERY PACK COVER SEALING RING
39	2	449004	HOLDER FOR BATTERI	BATTERY HOLDER
40	2	454406	SVINGARM	SWING ROD
41	1	449002	BATTERI 20V/5.0AH	BATTERY PACK (SAMSUNG)
42	9	448958	SKRUE ST2.9*12	SCREW (SUS304)
43	1	448957	USB PORT	USB BOARD
44	1	454868	KOFANGER	ANTI-COLLISION ASSEMBLY
45	5	454336	SKRUE ST2.9*12-F	SCREW ST2.9*12-F

POS	QTY	PARTNUMBER	BESKRIVELSE	DESCRIPTION
46	1	454331	TERMISK PLADE	THERMAL CONDUCTIVE PHASE CHANGE SHEET
47	2	454869	SENSOR	COLLISION SENSOR BOARD
48	2	454424	HJULMOTOR (ENKELT)	WHEEL DRIVE MOTOR (SINGLE)
49	1	454335	SENSOR PANEL	GEOMAGNETIC SENSOR PANEL
50	1	454411	KLEMME	GEOMAGNETIC PLATE CLAMP
51	1	454385	FORHJUL HØJRE X3/X5	RIGHT WHEEL
52	2	454366	SKIVE	FLAT PAD ?6.4X?30X2
53	2	448954	SKIVE ELASTISK	ELASTIC WASHER 6
54	2	453648	LÅSEMØTRIK M6	M6-NON-METALLIC INSERT LOCK NUT
55	1	454352	HJULKAPSEL HØJRE X5/X3	RIGHT WHEEL COVER
56	1	454415	KAMERA MODUL	CAMERA MODULE
57	1	454416	TÆTNINGSRING KAMERA	CAMERA SEALING RING
58	1	454871	LEDNINGS MODUL OPLADNING	CHARGING WIRE HARNESS MODULE
59	1	454368	4G LEDNINGSNET	4G MODULE COMMUNICATION HARNESS
60	1	450029	BATTERILEDNING	BATTERY CONNECT MAINBOARD CABLE
61	1	453633	LEDNING	WIRING HARNESSES
62	1	454369	BUNDKORT LEDNINGSNET	MAINBOARD-ALGORITHM BOARD COMMUNICATION
63	1	454370	STRØM LEDNINGSNET	MAINBOARD-ALGORITHM BOARD POWER SUPPLY C
64	1	454373	ALGORITME 5V LEDNINGSNET	ALGORITHM BOARD 5V OUTPUT HARNESS
65	1	454372	GEOMAGNETISK LEDNINGSNET	GEOMAGNETIC PLATE CONNECTION HARNESS
66	1	454375	KOLLISION LEDNINGSNET	COLLISION SENSOR WIRING HARNESS
67	1	454872	LEDNINGSNET	MAIN BOARD CONNECTION LIFT SENSOR HARNES
68	1	454873	KAMARA LEDNING	CAMERA FPC CABLE
69	3	454417	MAGNET	MAGNETIC RING
70	1	449001	DISPLAY KABEL	DISPLAY BOARD CONNECTION WIRE
71	1	454874	REGNSENSOR LEDNING	RAIN SENSOR WIRE HARNESS
72	1	454875	LEDNINGSNET ANTENNE	THE MAINBOARD IS CONNECTED TO THE INTEGR

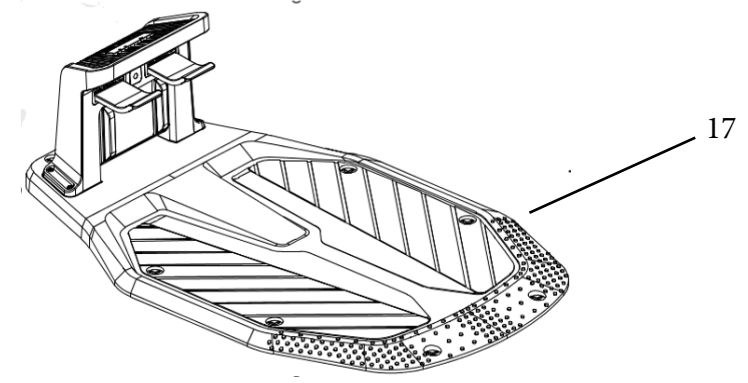


POS	QTY	PARTNUMBER	BESKRIVELSE	DESCRIPTION
1	1	454876	ELARTIKLER	RTK MAIN COMPONENT
2	2	454379	ALURØR ANTENNE	ALUMINUM TUBE ASSEMBLY
3	1	454380	BASE	RTK SET BASE
4	4	454381	PLØKKER	U TYPE FOR RTK BASE FIXTURE
5	1	454382	STRØMFORSYNING TIL RTK	2A POWER SUPPLY FOR RTK (EU VERSION)
6	4	454877	KLEMME	RTK CABLE CLAMP
7	1	454878	RTK BASE KPL.	RTK BASE STATION COMPONENTS

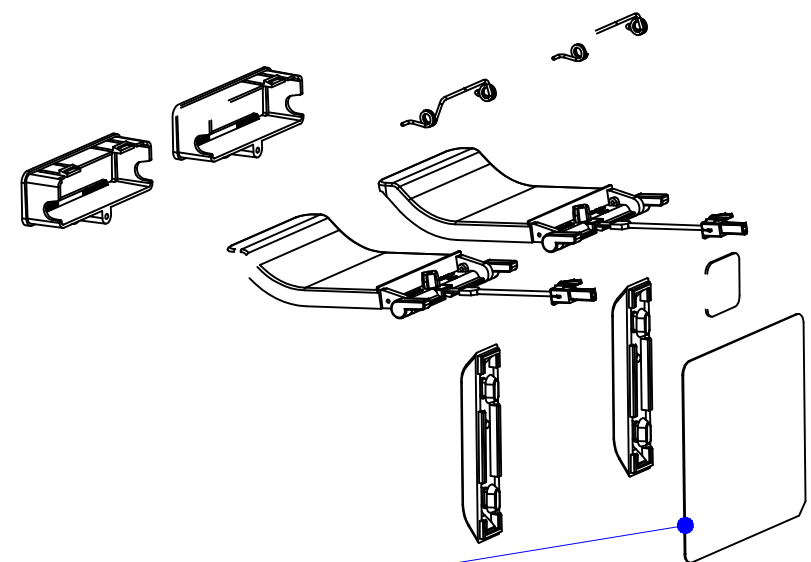
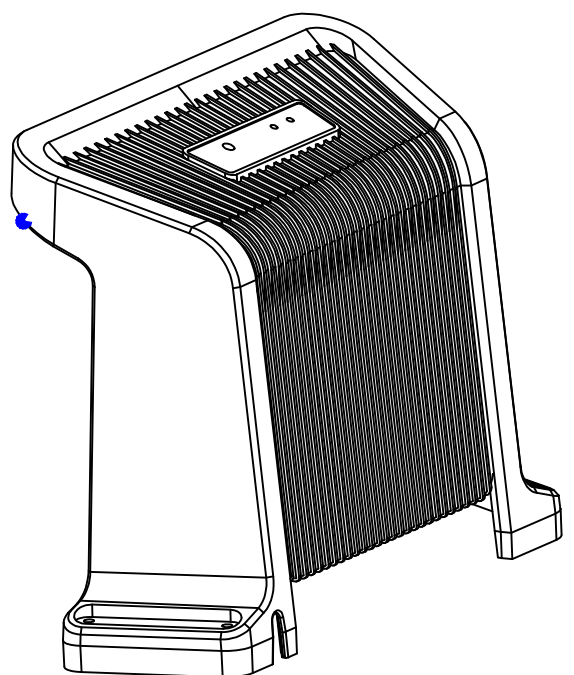


18

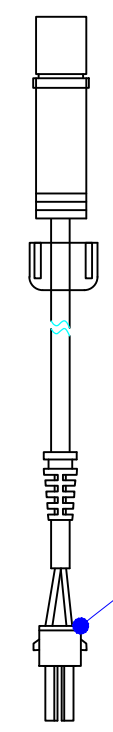
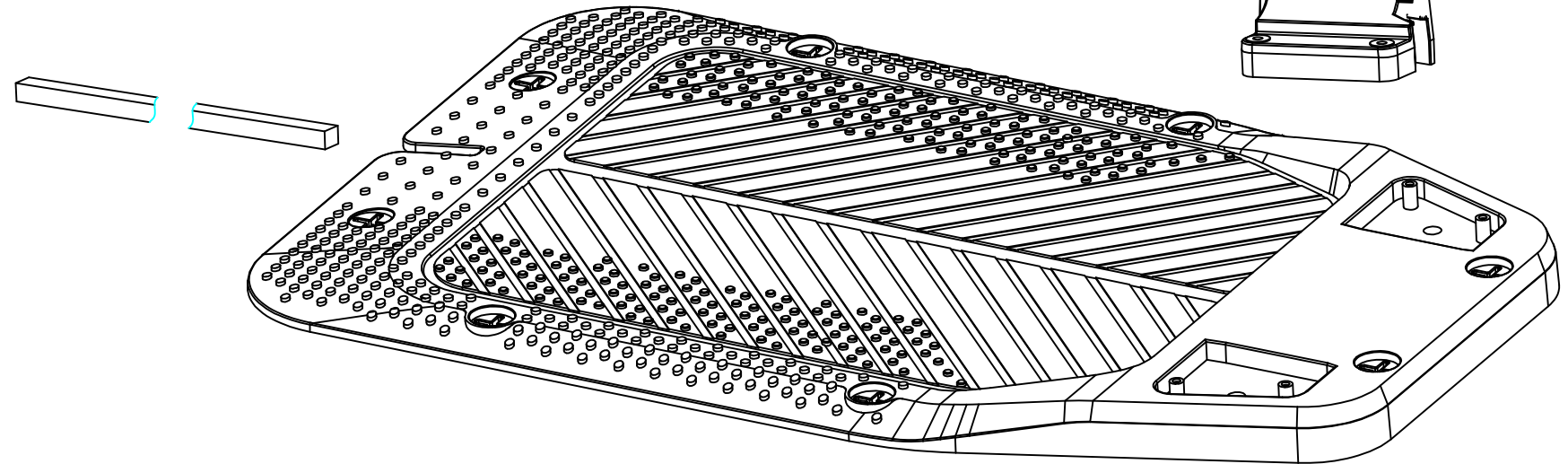
1



17

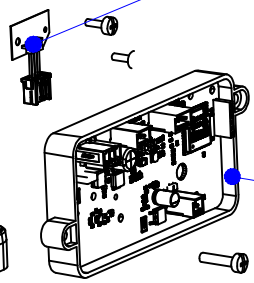


8



15

14



12

sunseeker
elite

POS	QTY	PARTNUMBER	BESKRIVELSE	DESCRIPTION
1	6	448939	SKRUE ST3.9X18	SCREW (SUS304)
8	1	454384	QR KODE	CHARGING STATION QR CODE
12	1	454887	PRINTPLADE	CHARGING BOARD ASSEMBLY
14	1	454422	INDIKATORLYS	INDICATOR LIGHT PCBA
15	1	451164	KABEL 8M	POWER SUPPLY CABLE 8M
17	1	454888	LADER U/STRØMFORSYNING	X3 CHARGING STATION
18	1	449003	STRØMFORSYNING 3A	POWER SUPPLY